

**Mini (7/8) 5 pole, Female 90° w/ Cable**

TPE 5x16AWG ye UL/CSA, TC-ER

Art.No.: 7700-A5031-U1D0500

Weight: 0.769 kg

Country of origin: US

Model designation: MSCDL0-UU1D\_5.0

Female 90°

7/8" (5-pole)

Power cable

USA

without cable sleeves

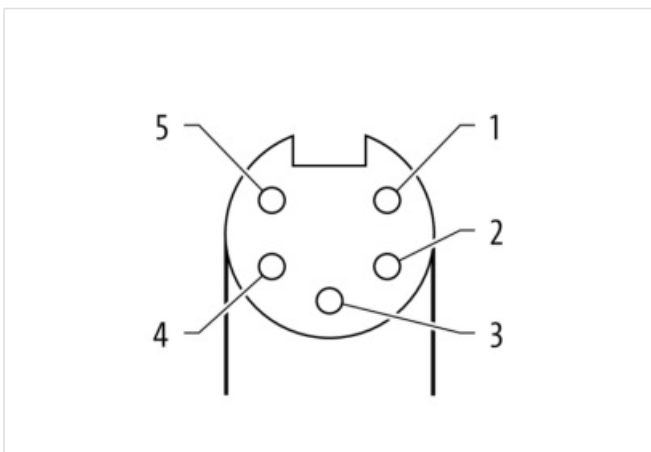
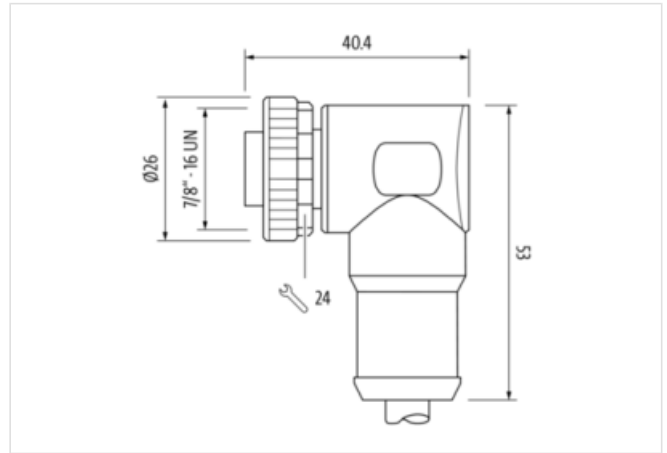
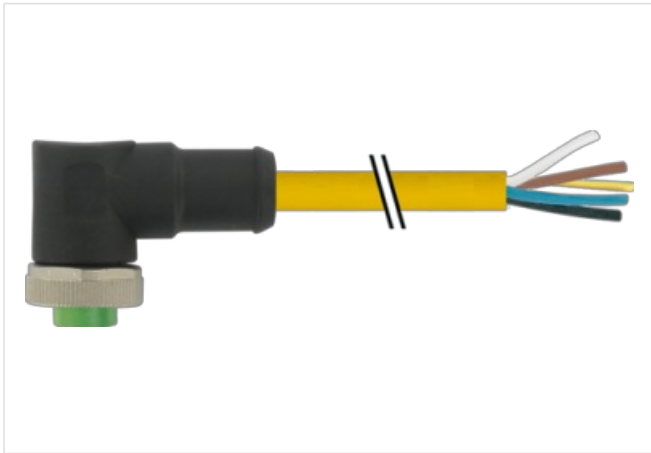
Further cable lengths on request.

Plastic housings with good resistance against chemicals and oils.

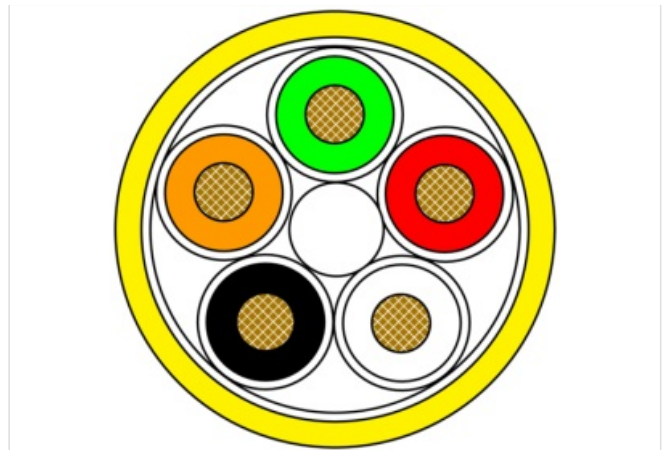
The resistance to aggressive media should be individually tested for your application. Further details on request.

[Link to Product](#)

**Illustration**



1	WH
2	RD
3	GN
4	OG
5	BK



Product may differ from Image



Cable length 5,00 m

**Side 1**

Family construction form	7/8"
No. of poles	5
Mounting method	inserted, screwed
Threaded hole	7/8"
Tightening torque	1,5 Nm
Width across flats	SW24
suitable for corrugated tube (internal Ø)	17,8 mm

**Commercial data**

URL Webshop	<a href="https://shop.murrelektronik.com/7700-A5031-U1D0500">https://shop.murrelektronik.com/7700-A5031-U1D0500</a>
GTIN	4048879644389
Customs tariff number	85444290
ECLASS-6.0	27279218
ECLASS-7.0	27279218
ECLASS-7.1	27279218
ECLASS-8.0	27279218
ECLASS-8.1	27279218
ECLASS-9.0	27060311
ECLASS-9.1	27060311
ECLASS-10.0.1	27060311
ECLASS-11.0	27060311
ECLASS-13.0	27060311
ECLASS-14.0	27060311
ETIM-5.0	EC001855
ETIM-6.0	EC001855
ETIM-7.0	EC001855
ETIM-8.0	EC001855
customs tariff number	85444290
EAN	4048879644389
Packaging unit	1

**Electrical data | Supply**

Operating voltage AC max.	600 V
Operating voltage DC max.	600 V
Current operating per contact max.	9 A
<b>Diagnostics</b>	
Status indication LED	No
<b>Device protection   Electrical</b>	
Degree of protection (EN IEC 60529)	IP68
Additional condition protection degree	inserted, screwed
Pollution Degree	3
Rated surge voltage	2,5 kV
<b>Mechanical data   Material data</b>	
housing	PUR
Locking material	Zinc die-casting
Coating locking	Nickel
<b>Mechanical data   Mounting data</b>	
Mounting method	inserted, screwed, Shaking protection
<b>Environmental characteristics   Climatic</b>	
Operating temperature min.	-25 °C
Operating temperature max.	80 °C
Additional condition temperature range	depending on cable quality
<b>Important installation notes</b>	
Note on bending radius	<b>Attention:</b> Observe the permissible bending radii when laying cables, as the IP protection class can be endangered by excessive bending forces.
Note on strain relief	Protect the connectors by suitable measures from mechanical loads, e.g. by the usage of cable ties.
<b>Installation   Cable</b>	
Cable identification	U1D
Cable weight	131 g/m
UL AWM Style	21002 / 1841
Stranding	1 × 5 wires around core filler twisted
Banding	Nonwoven Polyester Tape wrap 25% overlap 100% coverage
Filler	Yes
Wire arrangement	OG, GN, RD, WH, BK
Material wire insulation	PVC
Amount wires	5
Outer diameter insulation	2.62 mm ± 0.05 mm
Conductor crosssection (wire)	16 AWG
Material conductor wire	Stranded copper wire, bare
Core construction (wire)	65
Ingredient freeness wire insulation	lead-free, CFC-free
Material jacket	TPE
Outer-diameter (jacket)	9.78 mm ± 5 %
Jacket Color	yellow / RAL 1021
Freedom from ingredients (jacket)	lead-free, CFC-free, halogen-free
Conductor resistance (wire)	13.2 Ω/km @ 20 °C
Nominal voltage max.	600 V
Withstand voltage (wire - wire)	6 kV @ 60 s
Withstand voltage (wire - jacket)	6 kV @ 60 s
Current load capacity max. (wire)	8 A
Current load capacity (standard)	according to NFPA-70 (NEC) : 400.5(A) (1-3)
Operating temperature (static)	-50 °C ... 105 °C
Operating temperature (dynamic)	-20 °C ... 90 °C
Flame resistance	UL 1581 § 1164

Oil resistance	good
Chemical resistance	good
Other resistances	good resistance to gasoline
Notes	application-related testing
Bending radius (fixed)	8 × Outer diameter
Bending radius (dynamic)	10 × Outer diameter
No. of bending cycles (C-track)	2 Mio. @ 25 °C
Torsion stress	± 90 °/m