

Mini (7/8) 5 pole, Male (Ext.) 0°/Female 0°

PVC 5x16AWG ye UL/CSA, STOOW

Art.No.: 7700-A5A01-UBD0500

Weight: 1.148 kg

Country of origin: DE

Model designation: MSCAL0-CB-UUBD_5.0

Advantages of our connectors:

Our connectors are versatile and specially optimised for industrial environments. All connectors are 100% tested during the manufacturing process to ensure the highest quality and reliability.

The contacts are gold-plated, which ensures optimum conductivity. Thanks to the high degree of protection, the connectors are ideal for demanding industrial environments. They are also vibration-resistant - this is ensured by the union nut with vibration protection.

Our connectors are resistant to oils and cooling lubricants, but resistance to aggressive media should be tested for each specific application. Different cable lengths available [on request](#)

If you are missing technical information? Please feel free to use our [dictionary](#) to find more technical details.

Product details:

Male straight – female straight

7/8" – 7/8", 5-pole

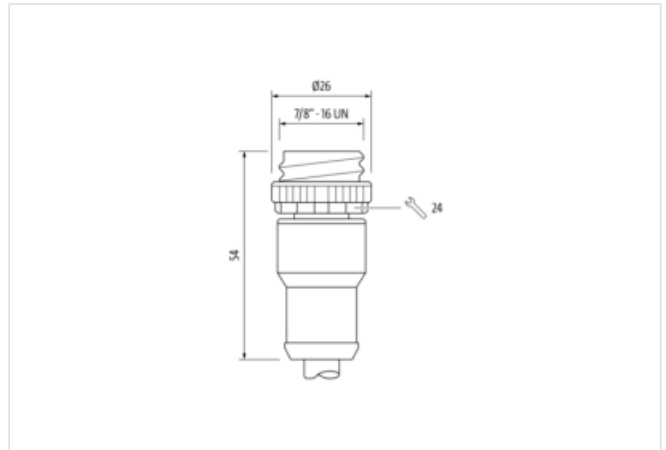
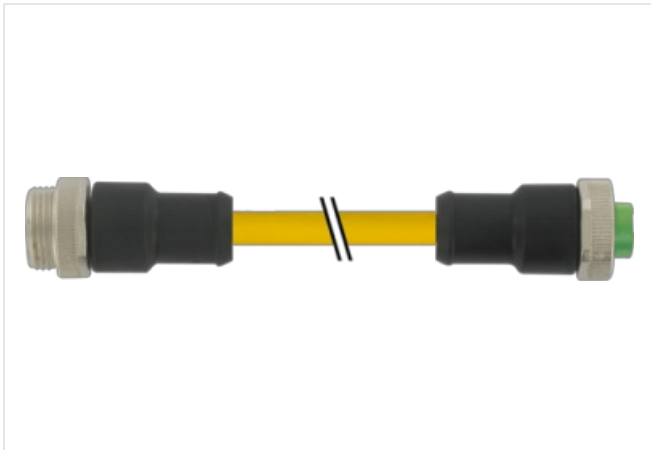
Power cable

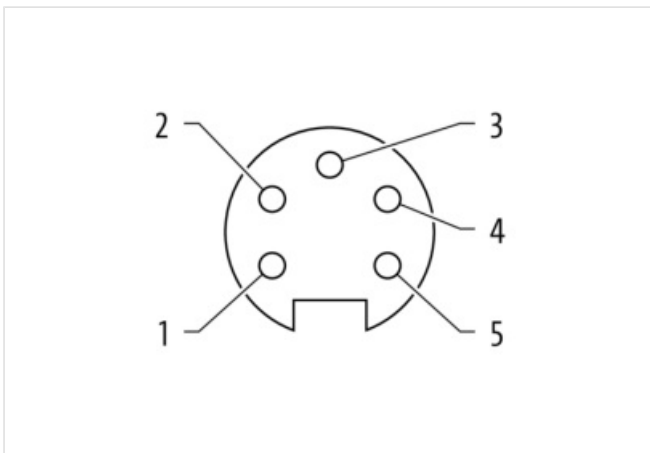
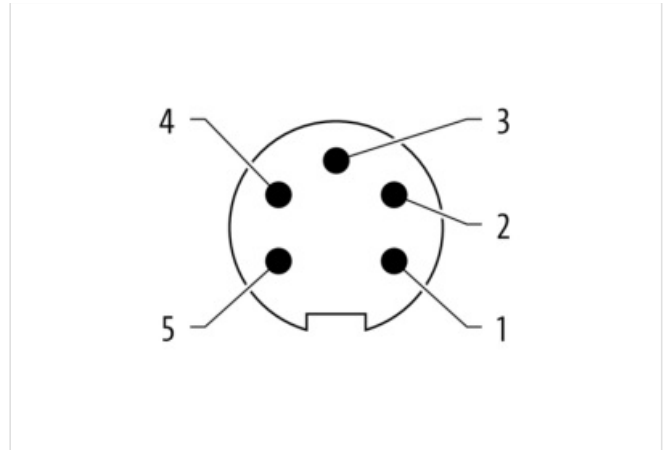
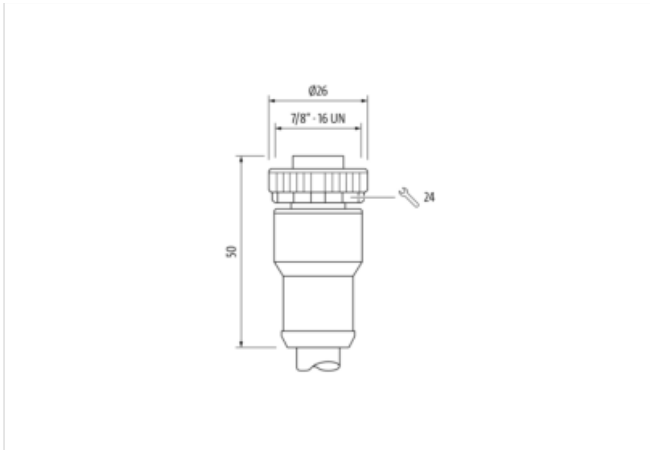
USA

Further cable lengths on request.

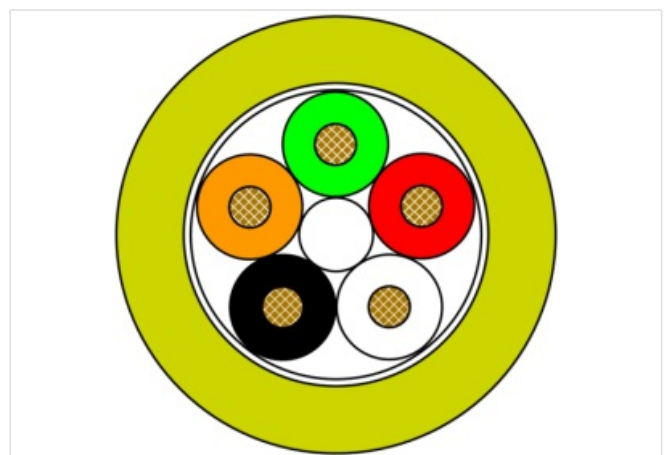
Plastic housings with good resistance against chemicals and oils.

The resistance to aggressive media should be individually tested for your application. Further details on request.

[Link to Product](#)**Illustration**



| | | |
|---|----|-----|
| 1 | WH | C 1 |
| 2 | RD | C 2 |
| 3 | GN | C 3 |
| 4 | OG | C 4 |
| 5 | BK | C 5 |



Product may differ from Image



Cable length 5,00 m

Side 1

Family construction form 7/8"

| | |
|--------------------|--------|
| Threaded hole | 7/8" |
| Tightening torque | 1,5 Nm |
| Width across flats | SW24 |

Side 2

| | |
|-------------------|--------|
| Threaded hole | 7/8" |
| Tightening torque | 1,5 Nm |

Commercial data

| | |
|-----------------------|---|
| URL Webshop | https://shop.murrelektronik.com/7700-A5A01-UBD0500 |
| GTIN | 4048879644242 |
| Customs tariff number | 85444290 |
| ECLASS-6.0 | 27279218 |
| ECLASS-6.1 | 27279218 |
| ECLASS-7.0 | 27279218 |
| ECLASS-7.1 | 27279218 |
| ECLASS-8.0 | 27279218 |
| ECLASS-8.1 | 27279218 |
| ECLASS-9.0 | 27060327 |
| ECLASS-9.1 | 27060311 |
| ECLASS-10.0.1 | 27060311 |
| ECLASS-10.1 | 27060311 |
| ECLASS-11.0 | 27060311 |
| ECLASS-11.1 | 27060311 |
| ECLASS-12.0 | 27060327 |
| ECLASS-13.0 | 27060311 |
| ECLASS-14.0 | 27060311 |
| ETIM-5.0 | EC001855 |
| ETIM-6.0 | EC001855 |
| ETIM-7.0 | EC001855 |
| ETIM-8.0 | EC001855 |
| customs tariff number | 85444290 |
| EAN | 4048879644242 |
| Packaging unit | 1 |

Electrical data | Supply

| | |
|------------------------------------|-------|
| Operating voltage AC max. | 600 V |
| Operating voltage DC max. | 600 V |
| Current operating per contact max. | 9 A |

Device protection | Electrical

| | |
|--|-------------------|
| Degree of protection (EN IEC 60529) | IP68 |
| Additional condition protection degree | inserted, screwed |

Mechanical data | Material data

| | |
|------------------|------------------|
| housing | PUR |
| Locking material | Zinc die-casting |
| Coating locking | Nickeled |

Mechanical data | Mounting data

| | |
|-----------------|---------------------------------------|
| Mounting method | inserted, screwed, Shaking protection |
|-----------------|---------------------------------------|

Environmental characteristics | Climatic

| | |
|--|----------------------------|
| Operating temperature min. | -25 °C |
| Operating temperature max. | 80 °C |
| Additional condition temperature range | depending on cable quality |

Important installation notes

Note on bending radius

Attention: Observe the permissible bending radii when laying cables, as the IP protection class can be endangered by excessive bending forces.

Note on strain relief

Protect the connectors by suitable measures from mechanical loads, e.g. by the usage of cable ties.

Installation | Cable

| | |
|-------------------------------------|---|
| Cable identification | UBD |
| Cable weight | 172 g/m |
| UL AWM Style | STOOW / 1015 |
| Stranding | 1 Wires |
| Banding | silk paper |
| Filler | Yes |
| Wire arrangement | OG, GN, RD, WH, BK |
| Material wire insulation | PVC |
| Amount wires | 5 |
| Outer diameter insulation | 3.05 mm ± 0.05 mm |
| Conductor crosssection (wire) | 16 AWG |
| Material conductor wire | Stranded copper wire, bare |
| Core construction (wire) | 26 |
| Ingredient freeness wire insulation | lead-free, CFC-free |
| Material jacket | PVC |
| Outer-diameter (jacket) | 12.7 mm ± 5 % |
| Jacket Color | yellow / RAL 1021 |
| Freedom from ingredients (jacket) | lead-free, CFC-free |
| Conductor resistance (wire) | 13.1 Ω/km @ 20 °C |
| Nominal voltage max. | 600 V |
| Withstand voltage (wire - wire) | 6 kV @ 60 s |
| Withstand voltage (wire - jacket) | 6 kV @ 60 s |
| Current load capacity max. (wire) | 8 A |
| Current load capacity (standard) | according to NFPA-70 (NEC) : 400.5(A) (1-3) |
| Operating temperature (static) | -50 °C ... 105 °C |
| Operating temperature (dynamic) | -20 °C ... 90 °C |
| Bending radius (fixed) | 10 × Outer diameter |
| Bending radius (dynamic) | 15 × Outer diameter |