

M12 Power L-coded 5pol. male 0° / female 0°

TPE 5x16AWG ye UL/CSA, TC-ER, IEC 10m

Art.No.: 7700-P4241-U0D1000

Weight: 1.502 kg

Country of origin: US

Model designation: MSWBLL0-WAL-UU0D_10.0

USA

Power

M12 – M12, 5-pole

Male straight – female straight

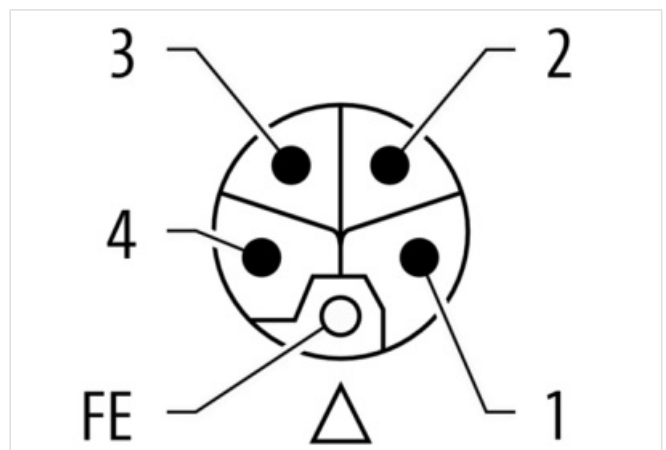
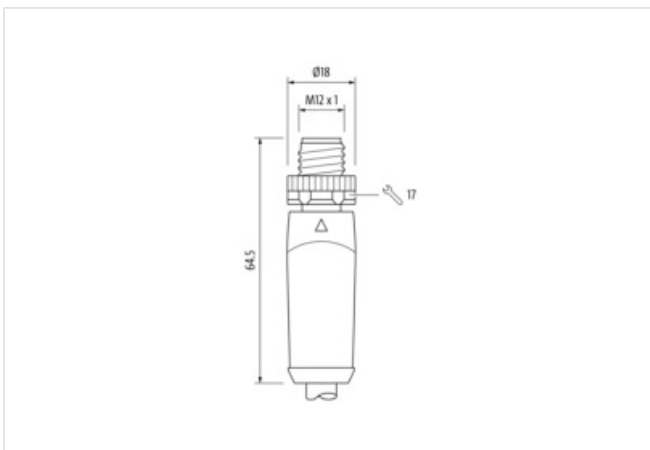
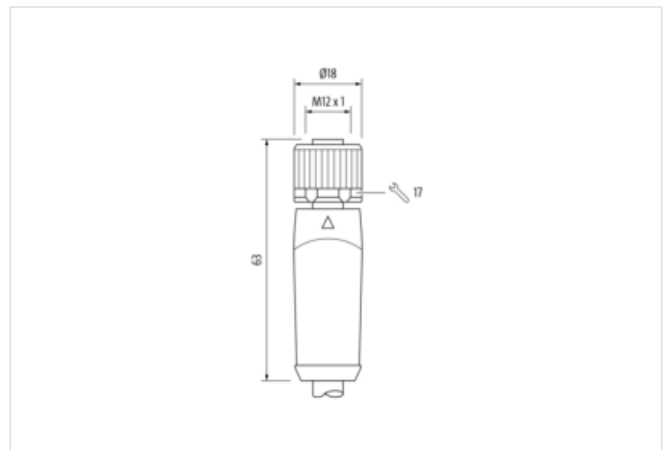
L-coded

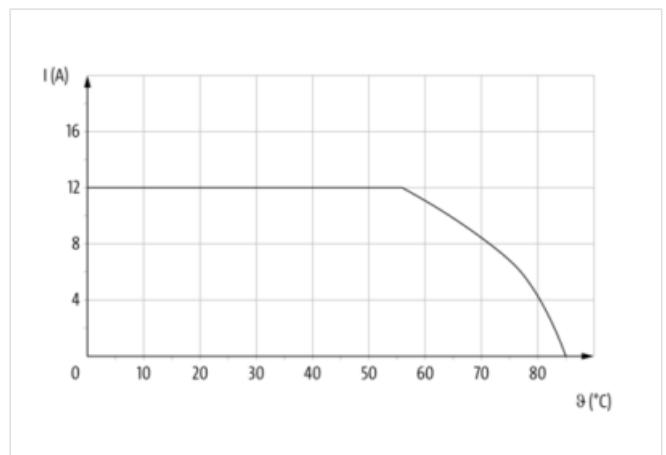
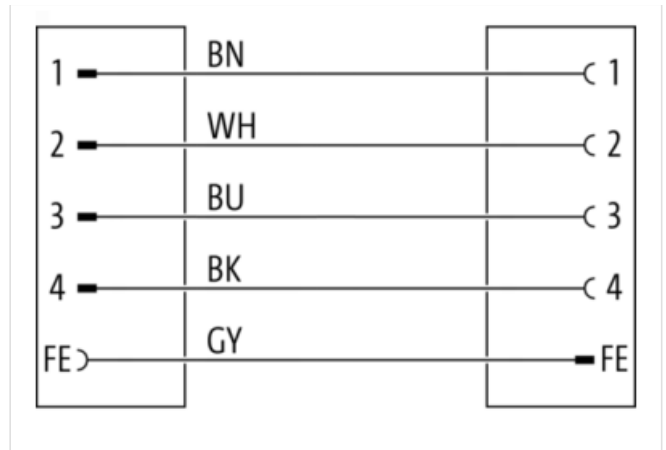
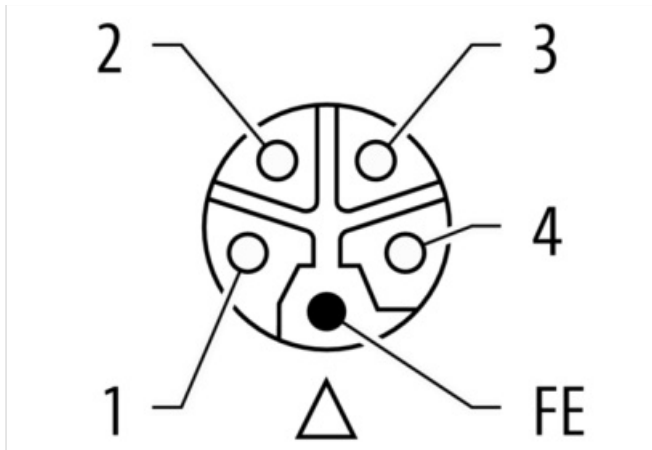
without cable sleeves

Plastic housings with good resistance against chemicals and oils.

The resistance to aggressive media should be individually tested for your application. Further details on request.

Further cable lengths on request.

[Link to Product](#)**Illustration**



Product may differ from Image



Cable length 10,00 m

Side 1

Family construction form M12P

| | |
|---|-------------------|
| No. of poles | 5 |
| Coding | L |
| Gender | male |
| Mounting method | inserted, screwed |
| Threaded hole | M12 x 1 |
| Tightening torque | 0,6 Nm |
| Width across flats | SW17 |
| Cable outlet | straight |
| suitable for corrugated tube (internal Ø) | 16,4 mm |
| Material contact | Copper alloy |
| Coating contact | gold plated |
| Degree of protection (EN IEC 60529) | IP67, IP65 |

Side 2

| | |
|---|-------------------|
| Family construction form | M12P |
| No. of poles | 5 |
| Coding | L |
| Gender | female |
| Mounting method | inserted, screwed |
| Threaded hole | M12 x 1 |
| Tightening torque | 0,6 Nm |
| Width across flats | SW17 |
| Cable outlet | straight |
| suitable for corrugated tube (internal Ø) | 16,4 mm |
| Material contact | Copper alloy |
| Coating contact | gold plated |
| Degree of protection (EN IEC 60529) | IP67, IP65 |

Commercial data

| | |
|-----------------------|---|
| URL Webshop | https://shop.murrelektronik.com/7700-P4241-U0D1000 |
| GTIN | 4048879824255 |
| Customs tariff number | 85444290 |
| ECLASS-6.0 | 27279218 |
| ECLASS-6.1 | 27279218 |
| ECLASS-7.0 | 27279218 |
| ECLASS-7.1 | 27279218 |
| ECLASS-8.0 | 27279218 |
| ECLASS-8.1 | 27279218 |
| ECLASS-9.0 | 27060327 |
| ECLASS-9.1 | 27060311 |
| ECLASS-10.0.1 | 27060311 |
| ECLASS-10.1 | 27060311 |
| ECLASS-11.0 | 27060311 |
| ECLASS-11.1 | 27060311 |
| ECLASS-12.0 | 27060327 |
| ECLASS-13.0 | 27060311 |
| ECLASS-14.0 | 27060311 |
| ETIM-5.0 | EC001855 |
| ETIM-6.0 | EC001855 |
| ETIM-7.0 | EC001855 |
| ETIM-8.0 | EC001855 |
| customs tariff number | 85444290 |
| EAN | 4048879824255 |
| Packaging unit | 1 |

Electrical data | Supply

| | |
|---|---|
| Operating voltage DC max. | 63 V |
| Current operating per contact max. | 12 A |
| Diagnostics | |
| Status indication LED | No |
| Installation Connection | |
| Width across flats | SW17 |
| Mating cycles min. | 100 |
| Device protection Electrical | |
| Degree of protection (EN IEC 60529) | IP67, IP65 |
| Additional condition protection degree | inserted, screwed |
| Pollution Degree | 3 |
| Rated surge voltage | 1,5 kV |
| Material group (IEC 60664-1) | I |
| Mechanical data Material data | |
| housing | PUR |
| Screw connection | Brass |
| Coating of fitting | nickel plated |
| Gasket | FKM |
| Mechanical data Mounting data | |
| Mounting method | inserted, screwed, Shaking protection |
| Environmental characteristics Climatic | |
| Operating temperature min. | -30 °C |
| Operating temperature max. | 85 °C |
| Additional condition temperature range | depending on cable quality |
| Important installation notes | |
| Note on bending radius | Attention: Observe the permissible bending radii when laying cables, as the IP protection class can be endangered by excessive bending forces. |
| Note on strain relief | Protect the connectors by suitable measures from mechanical loads, e.g. by the usage of cable ties. |
| Conformity | |
| Product standard | EN IEC 61076-2-111 |
| Installation Cable | |
| Cable identification | U0D |
| Cable weight | 131 g/m |
| UL AWM Style | 21002 / 1841 |
| Stranding | 1 × 5 wires around core filler twisted |
| Banding | Nonwoven Polyester Tape wrap 25% overlap 100% coverage |
| Filler | Yes |
| Wire arrangement | BN, BK, BU, WH, GY |
| Material wire insulation | PVC |
| Amount wires | 5 |
| Outer diameter insulation | 2.62 mm ± 0.05 mm |
| Conductor crosssection (wire) | 16 AWG |
| Material conductor wire | Stranded copper wire, bare |
| Core construction (wire) | 65 |
| Ingredient freeness wire insulation | lead-free, CFC-free |
| Material jacket | TPE |
| Outer-diameter (jacket) | 9.78 mm ± 5 % |
| Jacket Color | yellow / RAL 1021 |
| Freedom from ingredients (jacket) | lead-free, CFC-free, halogen-free |
| Conductor resistance (wire) | 13.2 Ω/km @ 20 °C |

| | |
|-----------------------------------|---|
| Nominal voltage max. | 600 V |
| Withstand voltage (wire - wire) | 6 kV @ 60 s |
| Withstand voltage (wire - jacket) | 6 kV @ 60 s |
| Current load capacity max. (wire) | 8 A |
| Current load capacity (standard) | according to NFPA-70 (NEC) : 400.5(A) (1-3) |
| Operating temperature (static) | -50 °C ... 105 °C |
| Operating temperature (dynamic) | -20 °C ... 90 °C |
| Flame resistance | UL 1581 § 1164 |
| Oil resistance | good |
| Chemical resistance | good |
| Other resistances | good resistance to gasoline |
| Notes | application-related testing |
| Bending radius (fixed) | 8 × Outer diameter |
| Bending radius (dynamic) | 10 × Outer diameter |
| No. of bending cycles (C-track) | 2 Mio. @ 25 °C |
| Torsion stress | ± 90 °/m |