

**M12 Power L-coded 5pol. male 90° / female 90°**

TPE 5x16AWG ye UL/CSA, TC-ER, IEC 10m

Art.No.: 7700-P4271-U0D1000

Weight: 1.510 kg

Country of origin: US

Model designation: MSWDLL0-WCL-UU0D\_10.0

USA

Power

M12 – M12, 5-pole

Male 90° – female 90°

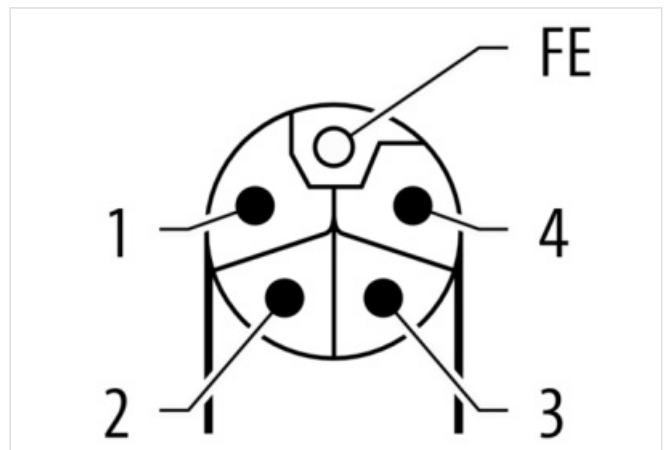
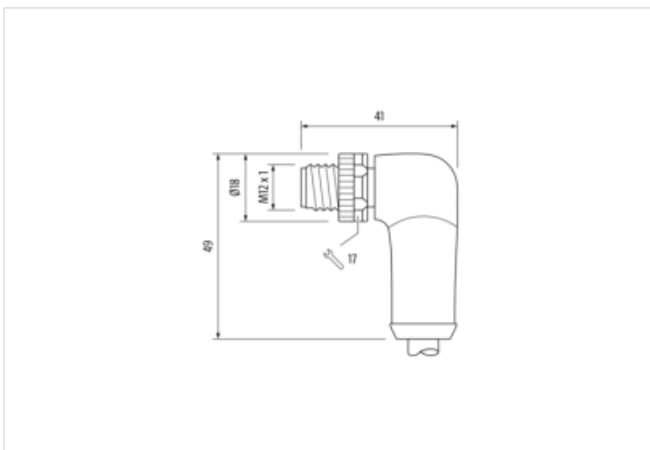
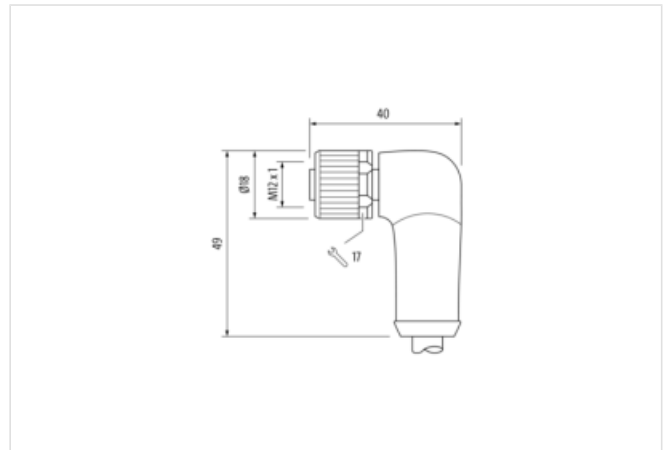
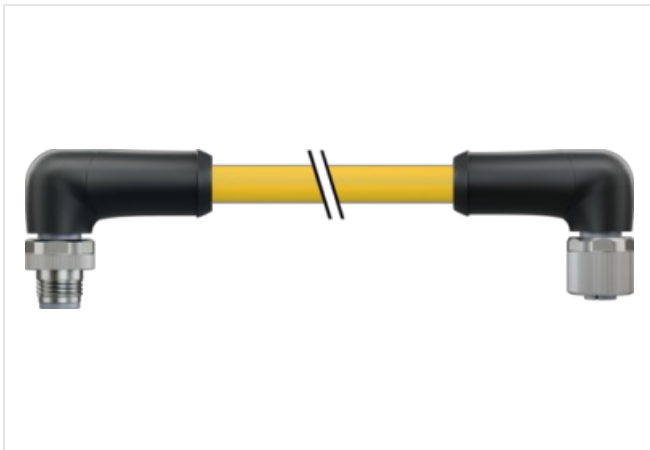
L-coded

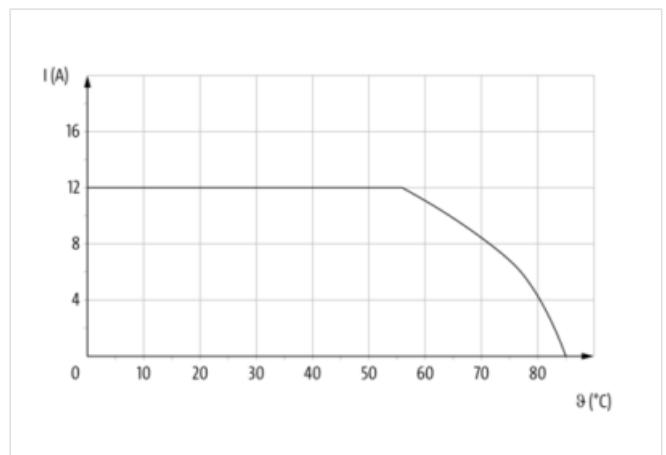
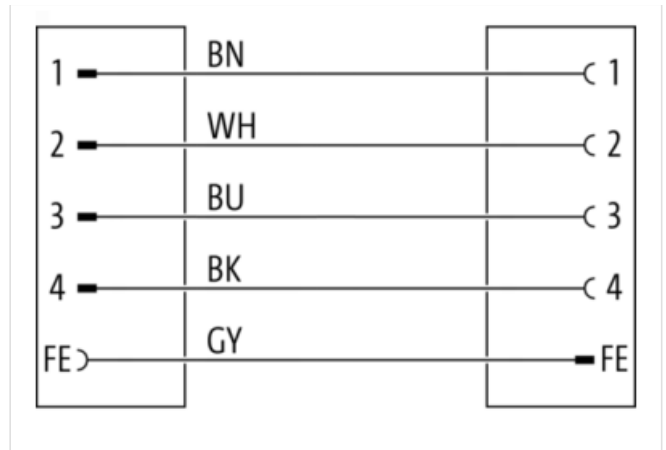
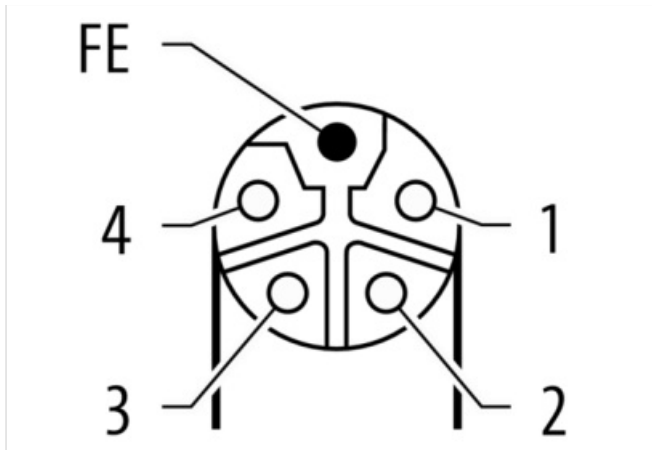
without cable sleeves

Plastic housings with good resistance against chemicals and oils.

The resistance to aggressive media should be individually tested for your application. Further details on request.

Further cable lengths on request.

[Link to Product](#)**Illustration**



Product may differ from Image



Cable length 10,00 m

Side 1

Family construction form M12P

No. of poles	5
Coding	L
Gender	male
Mounting method	inserted, screwed
Threaded hole	M12 x 1
Tightening torque	0,6 Nm
Width across flats	SW17
Cable outlet	angled
suitable for corrugated tube (internal Ø)	16,4 mm
Material contact	Copper alloy
Coating contact	gold plated
Degree of protection (EN IEC 60529)	IP67, IP65

**Side 2**

Family construction form	M12P
No. of poles	5
Coding	L
Gender	female
Mounting method	inserted, screwed
Threaded hole	M12 x 1
Tightening torque	0,6 Nm
Width across flats	SW17
Cable outlet	angled
suitable for corrugated tube (internal Ø)	16,4 mm
Material contact	Copper alloy
Coating contact	gold plated
Degree of protection (EN IEC 60529)	IP67, IP65

**Commercial data**

URL Webshop	<a href="https://shop.murrelektronik.com/7700-P4271-U0D1000">https://shop.murrelektronik.com/7700-P4271-U0D1000</a>
GTIN	4048879851350
Customs tariff number	85444290
ECLASS-6.0	27279218
ECLASS-6.1	27279218
ECLASS-7.0	27279218
ECLASS-7.1	27279218
ECLASS-8.0	27279218
ECLASS-8.1	27279218
ECLASS-9.0	27060327
ECLASS-9.1	27060311
ECLASS-10.0.1	27060311
ECLASS-10.1	27060311
ECLASS-11.0	27060311
ECLASS-11.1	27060311
ECLASS-12.0	27060327
ECLASS-13.0	27060311
ECLASS-14.0	27060311
ETIM-5.0	EC001855
ETIM-6.0	EC001855
ETIM-7.0	EC001855
ETIM-8.0	EC001855
customs tariff number	85444290
EAN	4048879851350
Packaging unit	1

**Electrical data | Supply**

The information in this Product-PDF has been compiled with the utmost care.

Liability for the correctness completeness and topicality of the information is restricted to gross negligence. Version: 2026-05-05

Operating voltage DC max.	63 V
Current operating per contact max.	12 A
<b>Diagnostics</b>	
Status indication LED	No
<b>Installation   Connection</b>	
Width across flats	SW17
Mating cycles min.	100
<b>Device protection   Electrical</b>	
Degree of protection (EN IEC 60529)	IP67, IP65
Additional condition protection degree	inserted, screwed
Pollution Degree	3
Rated surge voltage	1,5 kV
Material group (IEC 60664-1)	I
<b>Mechanical data   Material data</b>	
housing	PUR
Screw connection	Brass
Coating of fitting	nickel plated
Gasket	FKM
<b>Mechanical data   Mounting data</b>	
Mounting method	inserted, screwed, Shaking protection
<b>Environmental characteristics   Climatic</b>	
Operating temperature min.	-30 °C
Operating temperature max.	85 °C
Additional condition temperature range	depending on cable quality
<b>Important installation notes</b>	
Note on bending radius	<b>Attention:</b> Observe the permissible bending radii when laying cables, as the IP protection class can be endangered by excessive bending forces.
Note on strain relief	Protect the connectors by suitable measures from mechanical loads, e.g. by the usage of cable ties.
<b>Conformity</b>	
Product standard	EN IEC 61076-2-111
<b>Installation   Cable</b>	
Cable identification	U0D
Cable weight	131 g/m
UL AWM Style	21002 / 1841
Stranding	1 × 5 wires around core filler twisted
Banding	Nonwoven Polyester Tape wrap 25% overlap 100% coverage
Filler	Yes
Wire arrangement	BN, BK, BU, WH, GY
Material wire insulation	PVC
Amount wires	5
Outer diameter insulation	2.62 mm ± 0.05 mm
Conductor crosssection (wire)	16 AWG
Material conductor wire	Stranded copper wire, bare
Core construction (wire)	65
Ingredient freeness wire insulation	lead-free, CFC-free
Material jacket	TPE
Outer-diameter (jacket)	9.78 mm ± 5 %
Jacket Color	yellow / RAL 1021
Freedom from ingredients (jacket)	lead-free, CFC-free, halogen-free
Conductor resistance (wire)	13.2 Ω/km @ 20 °C

Nominal voltage max.	600 V
Withstand voltage (wire - wire)	6 kV @ 60 s
Withstand voltage (wire - jacket)	6 kV @ 60 s
Current load capacity max. (wire)	8 A
Current load capacity (standard)	according to NFPA-70 (NEC) : 400.5(A) (1-3)
Operating temperature (static)	-50 °C ... 105 °C
Operating temperature (dynamic)	-20 °C ... 90 °C
Flame resistance	UL 1581 § 1164
Oil resistance	good
Chemical resistance	good
Other resistances	good resistance to gasoline
Notes	application-related testing
Bending radius (fixed)	8 × Outer diameter
Bending radius (dynamic)	10 × Outer diameter
No. of bending cycles (C-track)	2 Mio. @ 25 °C
Torsion stress	± 90 °/m