

**PRE-WIRED CAP FOR EXACT8, 10XM8, 3 POLE**

10.0m PUR/PVC 10x0,34+2x0,75

Art.No.: 8000-80049-3851000

Weight: 1.180 kg

Country of origin: CZ

Model designation: MVP8N-ZH385 10.0m

for 10-way distribution box, 3-pole

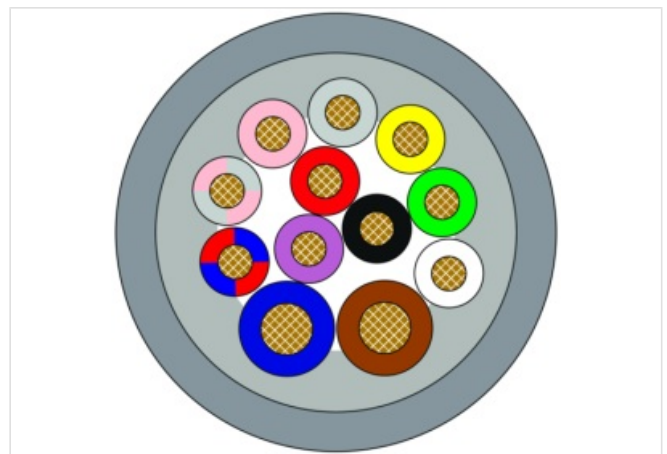
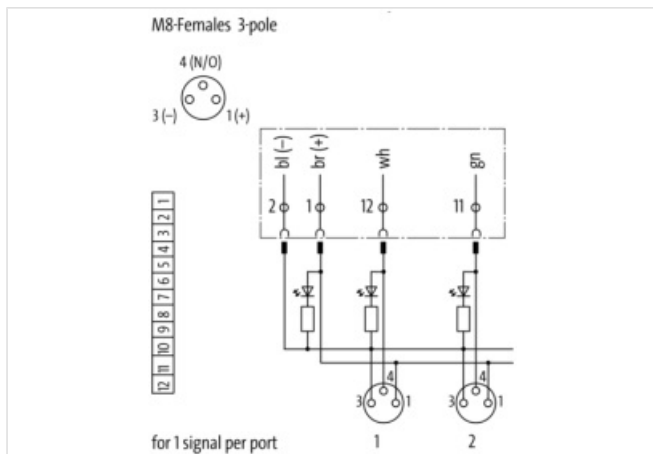
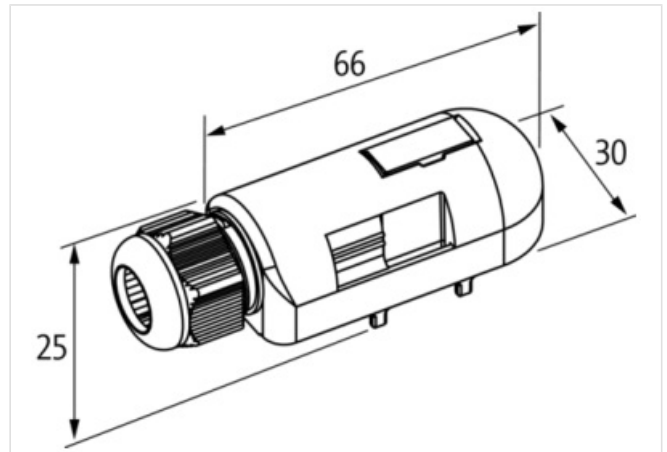
Further cable lengths on request.

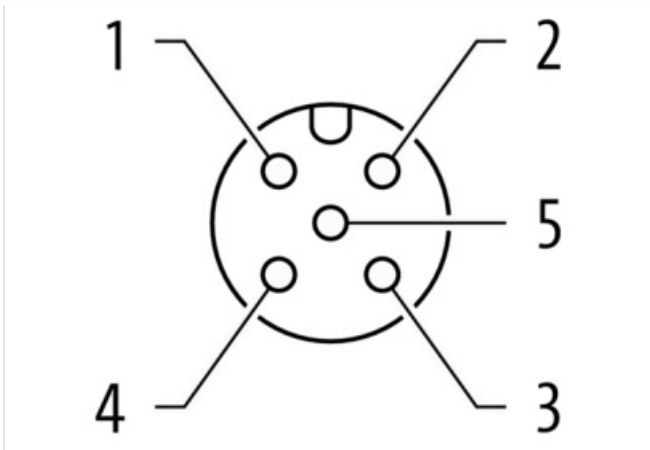
Plastic housings with good resistance against chemicals and oils.

The resistance to aggressive media should be individually tested for your application. Further details on request.

[Link to Product](#)

**Illustration**





Product may differ from Image

**Commercial data**

|                       |                                                                                                                     |
|-----------------------|---------------------------------------------------------------------------------------------------------------------|
| URL Webshop           | <a href="https://shop.murrelektronik.com/8000-80049-3851000">https://shop.murrelektronik.com/8000-80049-3851000</a> |
| GTIN                  | 4048879056755                                                                                                       |
| Customs tariff number | 85444290                                                                                                            |
| ECLASS-6.0            | 27143423                                                                                                            |
| ECLASS-6.1            | 27279219                                                                                                            |
| ECLASS-7.0            | 27279219                                                                                                            |
| ECLASS-7.1            | 27279219                                                                                                            |
| ECLASS-8.0            | 27279219                                                                                                            |
| ECLASS-8.1            | 27279219                                                                                                            |
| ECLASS-9.0            | 27440108                                                                                                            |
| ECLASS-9.1            | 27440108                                                                                                            |
| ECLASS-10.0.1         | 27440108                                                                                                            |
| ECLASS-10.1           | 27440108                                                                                                            |
| ECLASS-11.0           | 27440108                                                                                                            |
| ECLASS-11.1           | 27440108                                                                                                            |
| ECLASS-12.0           | 27440108                                                                                                            |
| ECLASS-13.0           | 27440108                                                                                                            |
| ECLASS-14.0           | 27440108                                                                                                            |
| ETIM-5.0              | EC002585                                                                                                            |
| ETIM-6.0              | EC002585                                                                                                            |
| ETIM-7.0              | EC002585                                                                                                            |
| ETIM-8.0              | EC002585                                                                                                            |
| customs tariff number | 85444290                                                                                                            |
| EAN                   | 4048879056755                                                                                                       |
| Packaging unit        | 1                                                                                                                   |

**Electrical data | Supply**

|                    |     |
|--------------------|-----|
| Total current max. | 8 A |
|--------------------|-----|

**Device protection | Media**

|                  |                 |
|------------------|-----------------|
| Flame resistance | flame retardant |
|------------------|-----------------|

**Mechanical data | Material data**

|                  |         |
|------------------|---------|
| Material housing | Plastic |
|------------------|---------|

**Environmental characteristics | Climatic**

The information in this Product-PDF has been compiled with the utmost care.

Liability for the correctness completeness and topicality of the information is restricted to gross negligence. Version: 2026-04-12

Murrelektronik Inc. | 1327 Northbrook Parkway, Suite 460 | Suwanee, GA 30024 | Fon +1 770 497-9292 | Fax +1 770 497-9391 | shop@murrinc.com | shop.murrinc.com

|                                        |                            |
|----------------------------------------|----------------------------|
| Operating temperature min.             | -20 °C                     |
| Operating temperature max.             | 80 °C                      |
| Additional condition temperature range | depending on cable quality |

| <b>Installation   Cable</b>                       |                                                                                          |
|---------------------------------------------------|------------------------------------------------------------------------------------------|
| Cable identification                              | 385                                                                                      |
| Cable Type                                        | 2                                                                                        |
| Function cable                                    | Hybrid, Signal, Power                                                                    |
| Stranding                                         | 1 × 3 wires stranded                                                                     |
| Stranding (type 2)                                | 1 × 9 wires stranded around stranding combination                                        |
| Wire arrangement                                  | (red, black, violet), gray-pink, pink, gray, yellow, green, white, brown, blue, red-blue |
| Cable weight                                      | 103 g/m                                                                                  |
| Material wire insulation                          | PVC                                                                                      |
| Amount wires                                      | 10                                                                                       |
| Outer diameter insulation                         | 1,3 mm                                                                                   |
| Outer diameter tolerance core insulation          | ± 0,1 mm                                                                                 |
| Shore hardness wire insulation                    | 43 ± 5 Shore D                                                                           |
| Material properties wire insulation               | good machinability                                                                       |
| Ingredient freeness wire insulation               | lead-free, cadmium-free, CFC-free, silicone-free                                         |
| Amount strands (wire)                             | 19                                                                                       |
| Diameter of single wires                          | 15 mm                                                                                    |
| Conductor crosssection (wire)                     | 0,34 mm <sup>2</sup>                                                                     |
| Material conductor wire                           | Stranded copper wire, bare                                                               |
| Conductor type (wire)                             | Strand class 5                                                                           |
| Material wire insulation (type 2)                 | PVC                                                                                      |
| Outer diameter wire insulation (type 2)           | 1,8 mm                                                                                   |
| Tolerance outer diameter wire insulation (type 2) | ± 0,1 mm                                                                                 |
| Shore hardness wire insulation (type 2)           | 43 ± 5 Shore D                                                                           |
| Material properties wire insulation (type 2)      | good machinability                                                                       |
| Ingredient freeness wire insulation (type 2)      | lead-free, cadmium-free, CFC-free, silicone-free                                         |
| Amount wires (type 2)                             | 2                                                                                        |
| Amount strands wire (type 2)                      | 24                                                                                       |
| Diameter of single wires (type 2)                 | 0,2 mm                                                                                   |
| Conductor crosssection wire (type 2)              | 0,75 mm <sup>2</sup>                                                                     |
| Material conductor wire (type 2)                  | Stranded copper wire, bare                                                               |
| Wire conductor type (type 2)                      | Strand class 5                                                                           |
| Electrical function wire (type 2)                 | Power                                                                                    |
| Outer-diameter (jacket)                           | 8,3 mm                                                                                   |
| Tolerance outer diameter (sheath)                 | ± 5 %                                                                                    |
| Material jacket                                   | PUR                                                                                      |
| Shore hardness jacket                             | 87 ± 5 Shore A                                                                           |
| Freedom from ingredients (jacket)                 | lead-free, cadmium-free, CFC-free, silicone-free                                         |
| Material property (jacket)                        | abrasion-resistant, low adhesion, good machinability, matte                              |
| Material inner jacket                             | PVC                                                                                      |
| Color (inner jacket)                              | gray                                                                                     |
| Conductor resistance (wire)                       | 57 Ω/km @ 20 °C                                                                          |
| Conductor resistance (wire type 2)                | 26 Ω/km @ 20 °C                                                                          |
| Max. rated voltage (conductor - ground)           | 300 V                                                                                    |
| Max. rated voltage (conductor - conductor)        | 300 V                                                                                    |
| Withstand voltage (wire - wire)                   | 2 kV @ 60 s                                                                              |
| Withstand voltage (wire - jacket)                 | 2 kV @ 60 s                                                                              |
| Current load capacity (standard)                  | to DIN VDE 0298-4                                                                        |
| Current load capacity max. (wire)                 | 4 A                                                                                      |
| Current load capacity max. Wire (type 2)          | 12 A                                                                                     |

|                                         |                                                                             |
|-----------------------------------------|-----------------------------------------------------------------------------|
| Operating temperature min. (static)     | -30 °C                                                                      |
| Operating temperature max. (static)     | 80 °C                                                                       |
| Operating temperature min. (dynamic)    | -5 °C                                                                       |
| Operating temperature max. (dynamic)    | 70 °C                                                                       |
| Operating temperature min. (drag chain) | -5 °C                                                                       |
| Operating temperature max. (drag chain) | 60 °C                                                                       |
| Flame resistance                        | UL 1581 § 1090, CSA FT2, IEC 60332-2-2                                      |
| Oil resistance                          | IEC 60811-404                                                               |
| Chemical resistance                     | good                                                                        |
| Other resistances                       | good resistance to gasoline, resistant to hydrolysis, resistant to microbes |
| Bending radius (fixed)                  | 5 × Outer diameter                                                          |
| Bending radius (dynamic)                | 10 × Outer diameter                                                         |
| No. of bending cycles (C-track)         | 2 Mio. @ 25 °C                                                              |
| Traversing distance (C-track)           | 5 m @ 25 °C                                                                 |
| Travel speed (C-track)                  | 2 m/s @ 25 °C                                                               |
| Acceleration (C-track)                  | 10 m/s <sup>2</sup> @ 25 °C                                                 |

#### Connection type 2

|                          |                |
|--------------------------|----------------|
| Family construction form | free cable end |
| No. of poles             | 12             |
| Family construction form | M8             |
| No. of poles             | 3              |
| Coding                   | A              |
| Gender                   | female         |
| Color contact carrier    | black          |
| PIN 1                    | +              |
| PIN 3                    | -              |
| PIN 4                    | S              |