

EXACT8, 4XM8, 3 POLE

Conn. M12 8 pole

Art.No.: 8000-84070-0000000

Weight: 0.082

Country of origin: DE

Model designation: MVP8N-NS4D

4-way, 3-pole

M12 (8-pole)

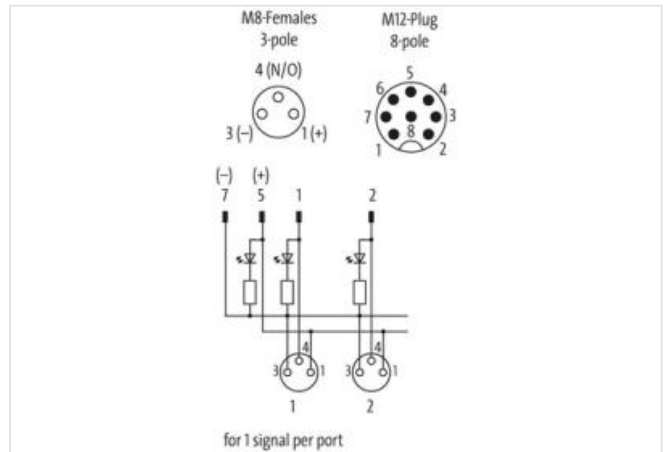
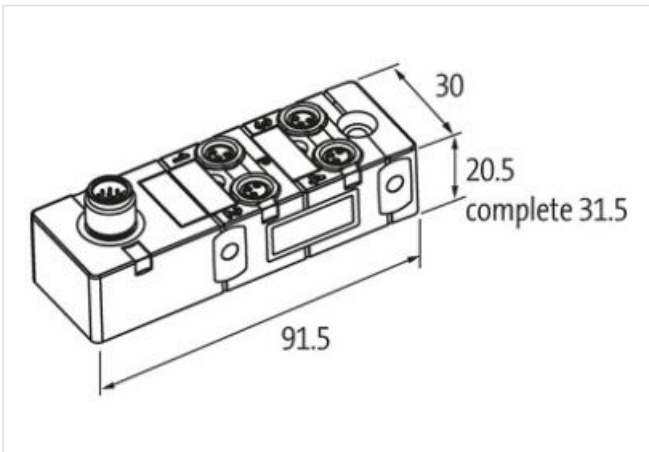
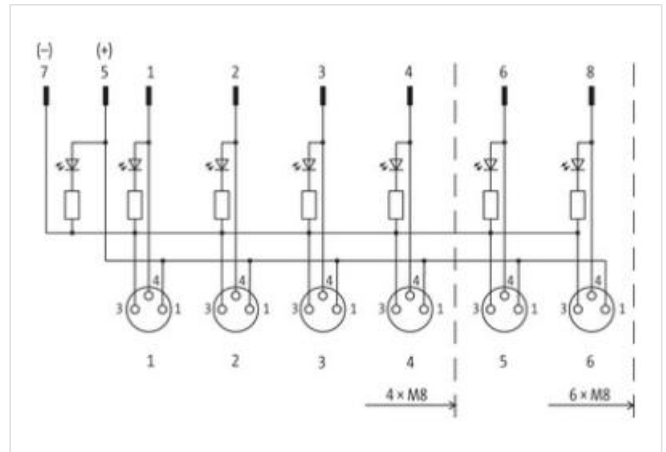
Inline face or side mounting

Plastic housings with good resistance against chemicals and oils.

The resistance to aggressive media should be individually tested for your application. Further details on request.

[Link to Product](#)

Illustration



Product may differ from Image



Commercial data

ECLASS-6.0

27279219

ECLASS-6.1	27279219
ECLASS-7.0	27279219
ECLASS-8.0	27279219
ECLASS-9.0	27440111
ECLASS-10.1	27440111
ECLASS-11.1	27440111
ECLASS-12.0	27440111
ETIM-5.0	EC002585
customs tariff number	85369010
customs tariff number	85369010
GTIN	4048879056304
GTIN	4048879056304
Packaging unit	1
Packaging unit	1

Electrical data | Supply

Operating voltage DC	24 V
Current operating per contact max.	2 A

Device protection | Electrical

Degree of protection (EN IEC 60529)	IP65, IP67
-------------------------------------	------------

Device protection | Media

Flame resistance	flame retardant
------------------	-----------------

Mechanical data | Material data

Material housing	Plastic
------------------	---------

Environmental characteristics | Climatic

Operating temperature min.	-20 °C
Operating temperature max.	70 °C
Additional condition temperature range	depending on cable quality

Connection type 2

Family construction form	M12
Gender	male
Color contact carrier	black
Coding	A
No. of poles	8
PIN 1	S 1
PIN 2	S 2
PIN 3	S 3
PIN 4	S 4
PIN 5	24 V DC
PIN 6	S 5
PIN 7	0 V
PIN 8	S 6
Family construction form	M8
Gender	female
Color contact carrier	black
Coding	A
No. of poles	3
PIN 1	24 V DC
PIN 3	0 V
PIN 4	S