

## EXACT12, 4XM12, 4 POLE BASIC HOUSING, NPN-LED'S

Without homerun-cable

Art.No.: 8000-84401-0000000

Weight: 0.076 kg

Country of origin: DE

Model designation: MVP12N-MK4V-NP

4-way, 4-pole

Form NPN

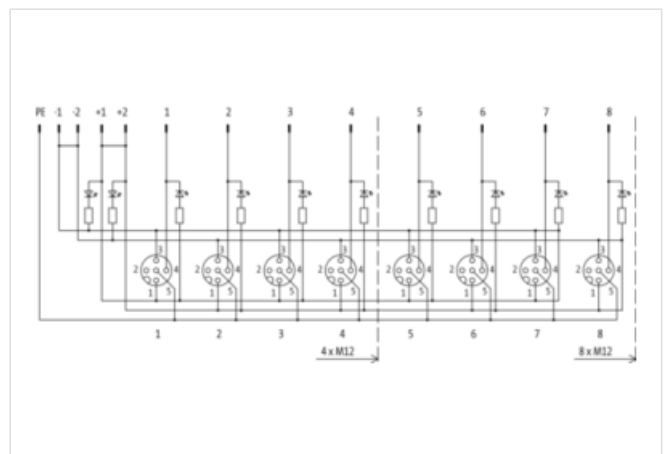
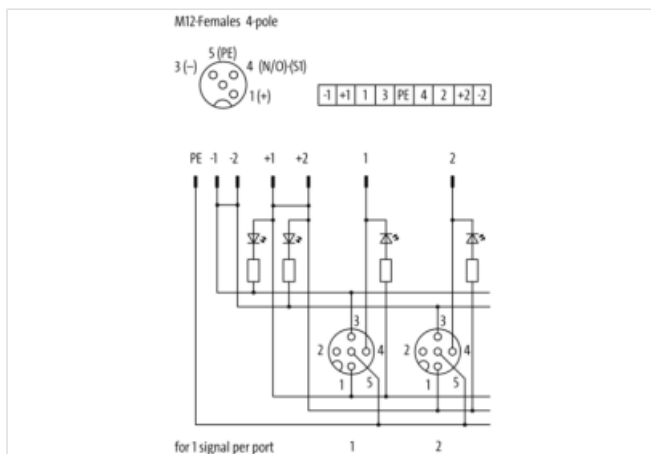
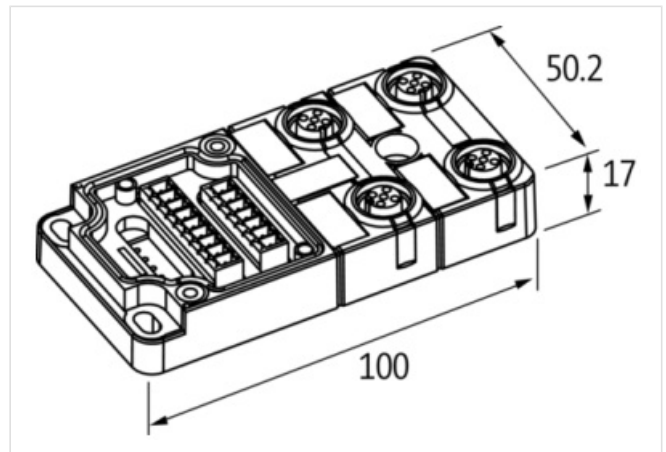
Screw plug-in terminals

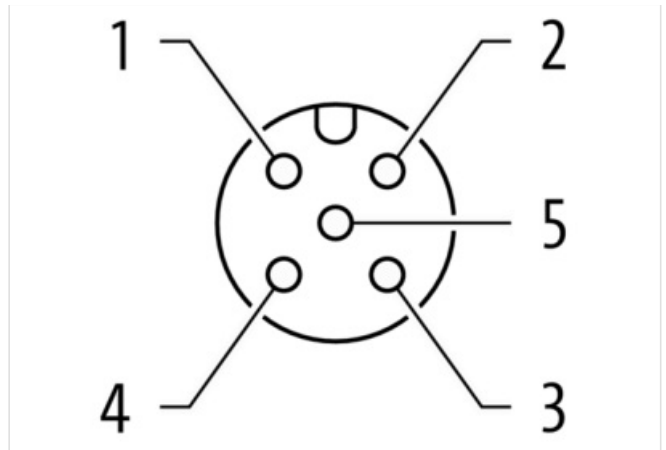
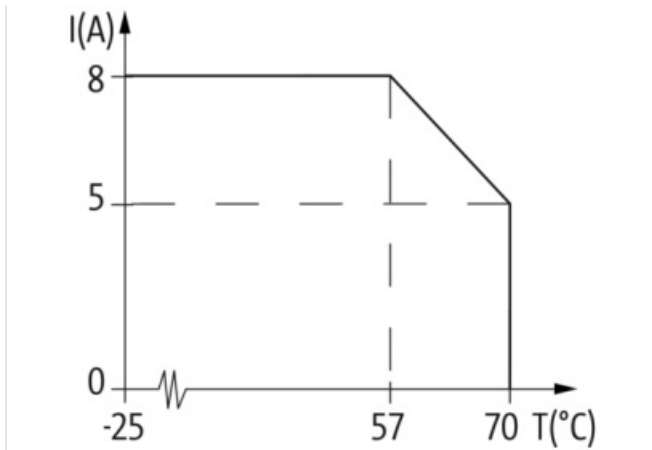
Plastic housings with good resistance against chemicals and oils.

The resistance to aggressive media should be individually tested for your application. Further details on request.

### [Link to Product](#)

#### Illustration





Product may differ from Image



**Commercial data**

|                       |   |
|-----------------------|---|
| URL Webshop           | <a href="https://shop.murrelektronik.com/8000-84401-0000000">https://shop.murrelektronik.com/8000-84401-0000000</a> |
| GTIN                  | 4048879056076   |
| Customs tariff number | 85366990  |
| ECLASS-6.0            | 27279219  |
| ECLASS-6.1            | 27279219  |
| ECLASS-7.0            | 27279219  |
| ECLASS-7.1            | 27279219  |
| ECLASS-8.0            | 27279219  |
| ECLASS-8.1            | 27279219  |
| ECLASS-9.0            | 27440111  |
| ECLASS-10.0.1         | 27440111  |
| ECLASS-10.1           | 27440111  |
| ECLASS-11.0           | 27440111  |
| ECLASS-11.1           | 27440111  |
| ECLASS-12.0           | 27440111  |
| ECLASS-13.0           | 27440111  |
| ECLASS-14.0           | 27440111  |
| ETIM-5.0              | EC002585  |
| ETIM-6.0              | EC002585  |
| ETIM-7.0              | EC002585  |
| ETIM-8.0              | EC002585  |
| customs tariff number | 85366990  |
| EAN                   | 4048879056076   |
| Packaging unit        | 1   |

**Electrical data | Supply**

|                                    |      |
|------------------------------------|------|
| Operating voltage DC               | 24 V |
| Current operating per contact max. | 4 A  |
| Total current max.                 | 8 A  |

**Device protection | Electrical**

|                                     |            |
|-------------------------------------|------------|
| Degree of protection (EN IEC 60529) | IP67, IP65 |
|-------------------------------------|------------|

**Device protection | Media**

|                  |                 |
|------------------|-----------------|
| Flame resistance | flame retardant |
|------------------|-----------------|

The information in this Product-PDF has been compiled with the utmost care.

Liability for the correctness completeness and topicality of the information is restricted to gross negligence. Version: 2026-05-06

**Mechanical data | Material data**

|         |         |
|---------|---------|
| housing | Plastic |
|---------|---------|

**Environmental characteristics | Climatic**

|                            |        |
|----------------------------|--------|
| Operating temperature min. | -20 °C |
| Operating temperature max. | 70 °C  |

---