

EXACT12, 4XM12, 4 POLE

Conn.M12 8pole

Art.No.: 8000-84470-0000000

Weight: 0.107

Country of origin: DE

Model designation: MVP12N-NS4V

4-way

4-pole (port 3+4)

5-pole (port 1+2)

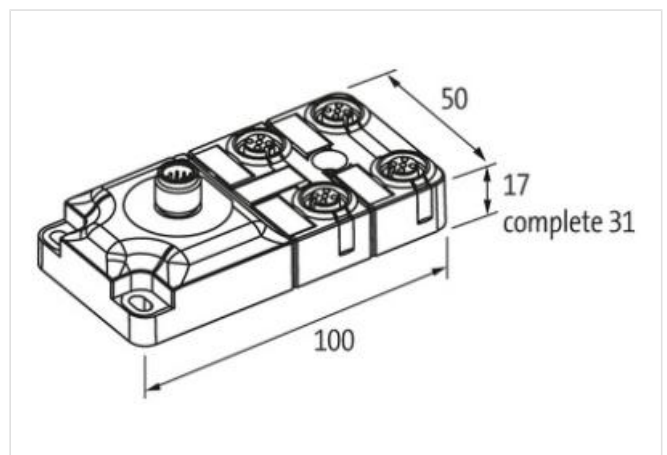
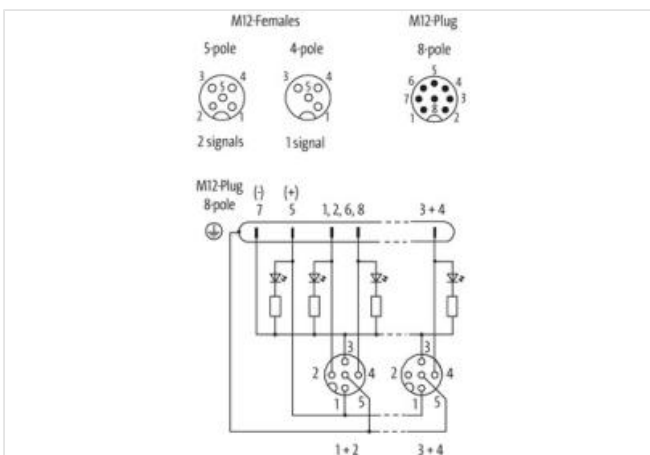
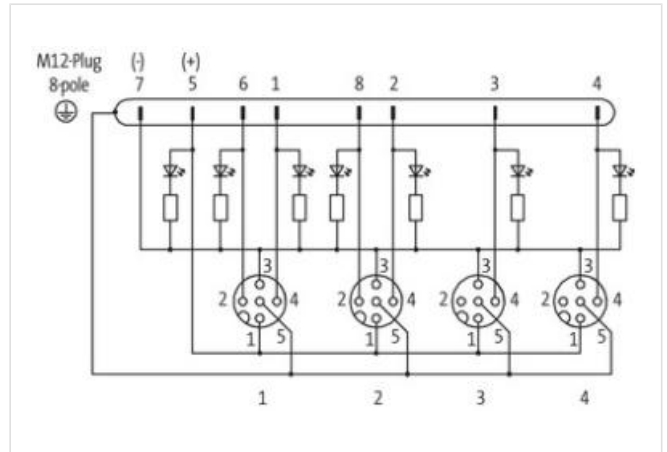
M12 plug connection, 8-pole

with LED for digital PNP-signals 24 V DC

Plastic housings with good resistance against chemicals and oils.

[Link to Product](#)

Illustration



Product may differ from Image



Commercial data

ECLASS-6.0	27279219
ECLASS-6.1	27279219
ECLASS-7.0	27279219
ECLASS-8.0	27279219
ECLASS-9.0	27440111
ECLASS-10.1	27440111
ECLASS-11.1	27440111
ECLASS-12.0	27440111
ETIM-5.0	EC002585
customs tariff number	85366990
customs tariff number	85369010
customs tariff number	85369010
GTIN	4048879323086
GTIN	4048879323086
GTIN	4048879323086
Packaging unit	1
Packaging unit	1
Packaging unit	1
Electrical data Supply	
Operating voltage DC	24 V
Current operating per contact max.	2 A
Total current max.	2 A
Device protection Electrical	
Degree of protection (EN IEC 60529)	IP65, IP67
Device protection Media	
Flame resistance	flame retardant
Mechanical data Material data	
Material housing	Plastic
Environmental characteristics Climatic	
Operating temperature min.	-20 °C
Operating temperature max.	70 °C
Connection type 2	
Family construction form	M12
Gender	male
Color contact carrier	black
Coding	A
No. of poles	8
PIN 5	+
Family construction form	M8
Gender	female
Color contact carrier	black
Coding	A
No. of poles	4
PIN 1	+
PIN 2	n.c.
PIN 3	-
PIN 4	NO S 1