

**EXACT12, 4XM12, 5-POLE, MOULDED CABLE**

5.0m PUR/PVC 8x0,34+3X0.75

Art.No.: 8000-84511-3630500

Weight: 0.790 kg

Country of origin: DE

Model designation: MVP12N-AN4F363 5.0m-NP

4-way, 5-pole

for NPN signals 24 V DC

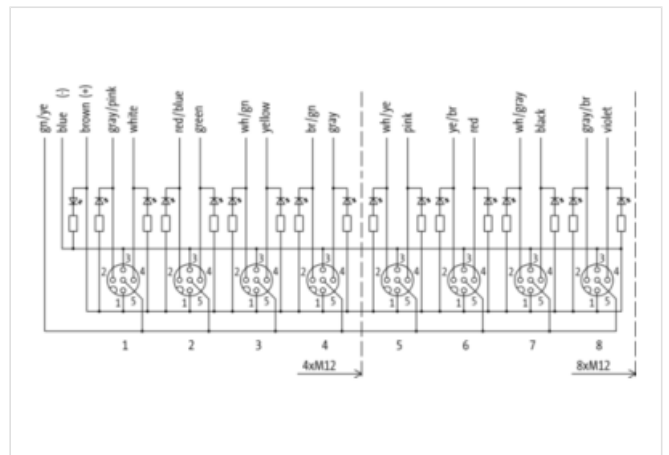
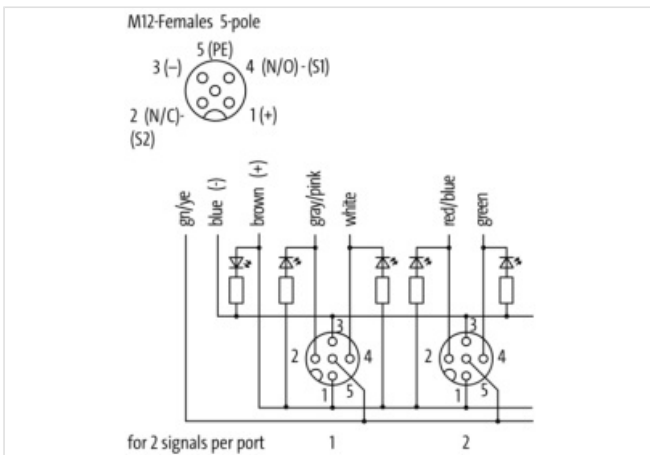
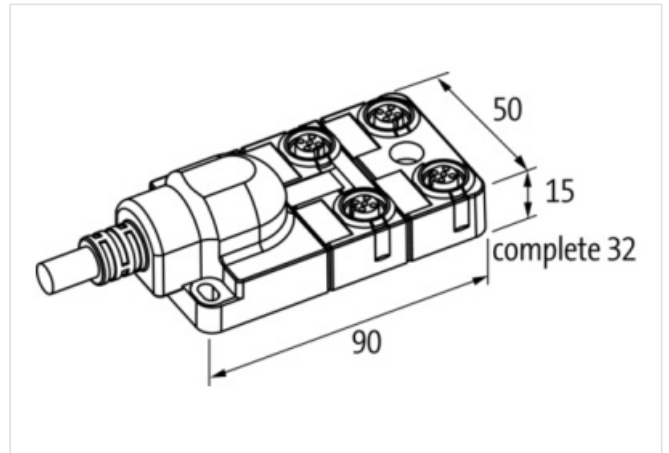
Further cable lengths on request.

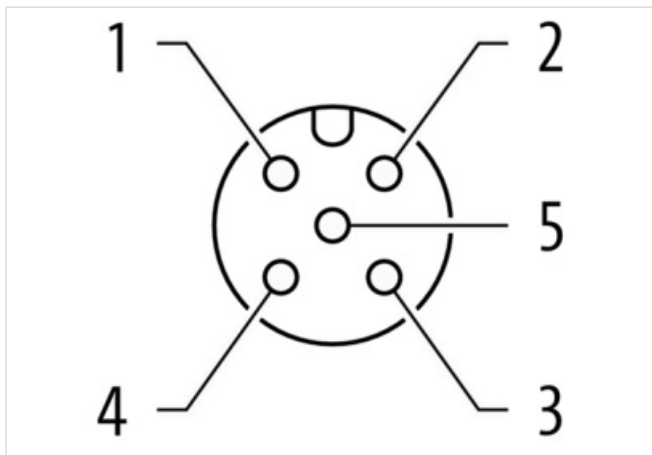
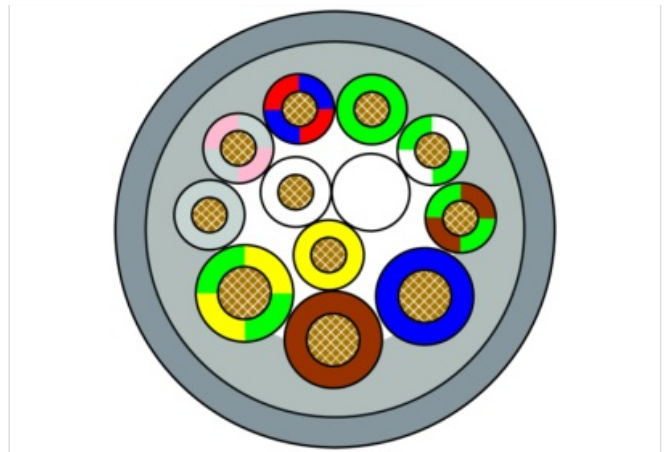
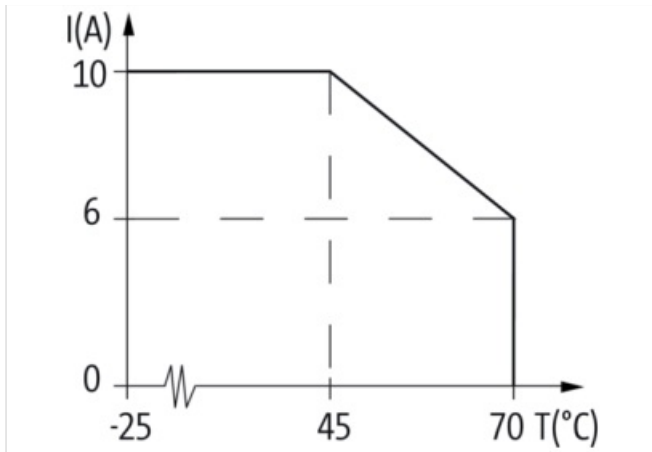
Plastic housings with good resistance against chemicals and oils.

The resistance to aggressive media should be individually tested for your application. Further details on request.

[Link to Product](#)

**Illustration**





Product may differ from Image



Commercial data	
URL Webshop	<a href="https://shop.murrelektronik.com/8000-84511-3630500">https://shop.murrelektronik.com/8000-84511-3630500</a>
GTIN	4048879055741
Customs tariff number	85444290
ECLASS-6.0	27279219
ECLASS-6.1	27279219
ECLASS-7.0	27279219
ECLASS-7.1	27279219
ECLASS-8.0	27279219
ECLASS-8.1	27279219
ECLASS-9.0	27440108
ECLASS-9.1	27440108
ECLASS-10.0.1	27440108
ECLASS-10.1	27440108
ECLASS-11.0	27440108
ECLASS-11.1	27440108
ECLASS-12.0	27440108
ECLASS-13.0	27440108
ECLASS-14.0	27440108

The information in this Product-PDF has been compiled with the utmost care. Liability for the correctness completeness and topicality of the information is restricted to gross negligence. Version: 2026-05-06

ETIM-5.0	EC002585
ETIM-6.0	EC002585
ETIM-7.0	EC002585
ETIM-8.0	EC002585
customs tariff number	85444290
EAN	4048879055741
Packaging unit	1

**Electrical data | Supply**

Operating voltage DC	24 V
Current operating per contact max.	4 A

**Installation | Connection**

Mounting set	M12 x 1
--------------	---------

**Device protection | Electrical**

Degree of protection (EN IEC 60529)	IP67, IP65
-------------------------------------	------------

**Device protection | Media**

Flame resistance	flame retardant
------------------	-----------------

**Mechanical data | Material data**

housing	Plastic
---------	---------

**Mechanical data | Mounting data**

Mounting method	Schraubgewinde
Cable length	5 m

**Environmental characteristics | Climatic**

Operating temperature min.	-20 °C
Operating temperature max.	70 °C
Additional condition temperature range	depending on cable quality

**Installation | Cable**

Cable identification	363
Cable Type	2
Function cable	Hybrid, Signal, Power
Cable weight	130 g/m
UL AWM Style	20549 / 1731
Stranding	1 × 2 wires stranded with filler
Stranding (type 2)	1 × 9 wires stranded around stranding combination
Filler	Yes
Wire arrangement	(WH, YE), GY, GYPK, RDBU, GN, GNWH, BNGN, BU, BN, GNYE
Material wire insulation	PVC
Amount wires	8
Outer diameter insulation	1.3 mm ± 0.1 mm
Conductor crosssection (wire)	0,34 mm <sup>2</sup>
Material conductor wire	Stranded copper wire, bare
Core construction (wire)	19 × 0.15 mm
Material properties wire insulation	good machinability
Ingredient freeness wire insulation	lead-free, cadmium-free, CFC-free, silicone-free
Electrical function wire (type 2)	Power
Material wire insulation (type 2)	PVC
Amount wires (type 2)	3
Outer diameter wire insulation (type 2)	1.8 mm ± 0.1 mm
Conductor crosssection (wire type 2)	0,75 mm <sup>2</sup>
Material conductor wire (type 2)	Stranded copper wire, bare
Core construction (wire type 2)	24 × 0.2 mm
Material properties wire insulation (type 2)	good machinability

Ingredient freeness wire insulation (type 2)	lead-free, cadmium-free, CFC-free, silicone-free
Material jacket	PUR
Outer-diameter (jacket)	8.1 mm ± 5 %
Jacket Color	gray / RAL 7040
Material inner jacket	PVC
Color (inner jacket)	gray
Freedom from ingredients (jacket)	lead-free, cadmium-free, CFC-free, silicone-free
Material property (jacket)	abrasion-resistant, low adhesion, good machinability, matte
Conductor resistance (wire)	57 Ω/km @ 20 °C
Conductor resistance (wire type 2)	26 Ω/km @ 20 °C
Max. rated voltage (conductor - ground)	300 V
Max. rated voltage (conductor - conductor)	300 V
Withstand voltage (wire - wire)	2 kV @ 60 s
Withstand voltage (wire - jacket)	2 kV @ 60 s
Current load capacity max. (wire)	4 A
Current load capacity max. Wire (type 2)	12 A
Current load capacity (standard)	to DIN VDE 0298-4
Operating temperature (static)	-30 °C ... 80 °C
Operating temperature (dynamic)	-5 °C ... 70 °C
Operating temperature (drag chain)	-5 °C ... 60 °C
Flame resistance	UL 1581 § 1090, CSA FT2, IEC 60332-2-2
Oil resistance	IEC 60811-404
Chemical resistance	good
Other resistances	good resistance to gasoline, resistant to hydrolysis, resistant to microbes
Notes	application-related testing
Bending radius (fixed)	5 × Outer diameter
Bending radius (dynamic)	10 × Outer diameter
No. of bending cycles (C-track)	2 Mio. @ 25 °C
Traversing distance (C-track)	5 m @ 25 °C
Travel speed (C-track)	2 m/s @ 25 °C
Acceleration (C-track)	10 m/s <sup>2</sup> @ 25 °C