

EXACT8, 8XM8, 3 POLE

Conn.M12 12 pole

Art.No.: 8000-88060-0000000

Weight: 0.126 kg

Country of origin: DE

Model designation: MVP8N-GS8D

8-way, 3-pole

M12 (12-pole)

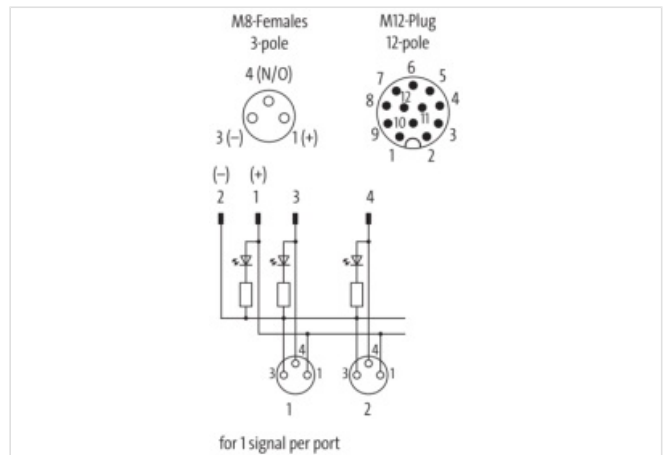
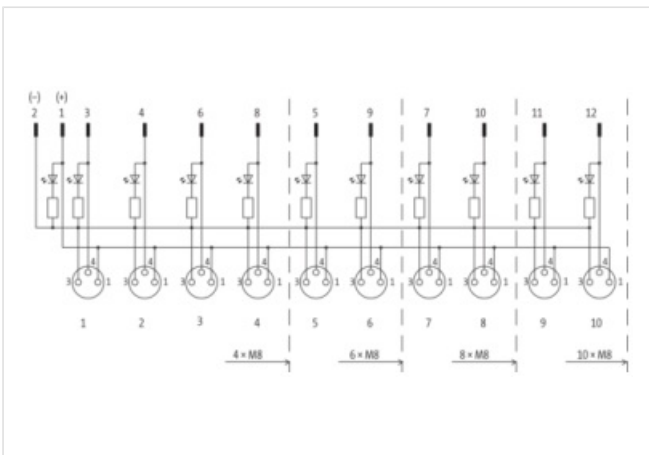
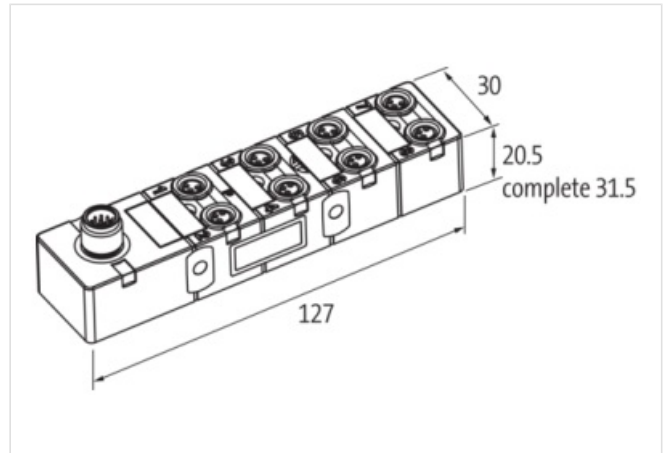
Inline face or side mounting

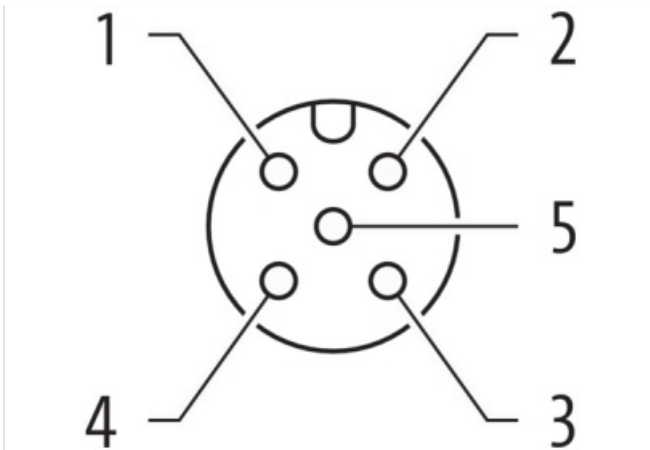
Plastic housings with good resistance against chemicals and oils.

The resistance to aggressive media should be individually tested for your application. Further details on request.

[Link to Product](#)

Illustration





Product may differ from Image

**Header**

Material short text MVP8N-GS8D

Commercial dataURL Webshop <https://shop.murrelektronik.com/8000-88060-0000000>

GTIN 4048879054515

ECLASS-6.0 27143423

ECLASS-6.1 27279219

ECLASS-7.0 27279219

ECLASS-7.1 27279219

ECLASS-8.0 27279219

ECLASS-8.1 27279219

ECLASS-9.0 27440111

ECLASS-10.0.1 27440111

ECLASS-10.1 27440111

ECLASS-11.0 27440111

ECLASS-11.1 27440111

ECLASS-12.0 27440111

ECLASS-13.0 27440111

ECLASS-14.0 27440111

ETIM-5.0 EC002585

ETIM-6.0 EC002585

ETIM-7.0 EC002585

ETIM-8.0 EC002585

customs tariff number 85366990

EAN 4048879054515

Packaging unit 1

Electrical data | Supply

Operating voltage DC 24 V

Current operating per contact max. 1,5 A

Device protection | Electrical

Degree of protection (EN IEC 60529) IP67

Additional condition protection degree mounted, screwed

Device protection | Media

Flame resistance	flame retardant
------------------	-----------------

Mechanical data | Material data

Material housing	Plastic
------------------	---------

Environmental characteristics | Climatic

Operating temperature min.	-20 °C
Operating temperature max.	70 °C
Additional condition temperature range	depending on cable quality

Connection type 2

Family construction form	M12
No. of poles	12
Coding	A
Gender	male
Color contact carrier	black
PIN 1	24 V DC
PIN 2	0 V
PIN 3	S 1
PIN 4	S 2
PIN 5	S 3
PIN 6	S 4
PIN 7	S 5
PIN 8	S 6
PIN 9	S 7
PIN 10	S 8
PIN 11	S 9
PIN 12	S 10
Family construction form	M8
No. of poles	3
Coding	A
Gender	female
Color contact carrier	black
PIN 1	+
PIN 3	-
PIN 4	S