

EXACT12, 8XM12, 4 POLE MOULDED CABLE

5.0m PUR/PVC 8x0,34+3X0.75

Art.No.: 8000-88411-3620500

Weight: 0.68

Country of origin: DE

Model designation: MVP12N-AN8V362 5.0M-NP

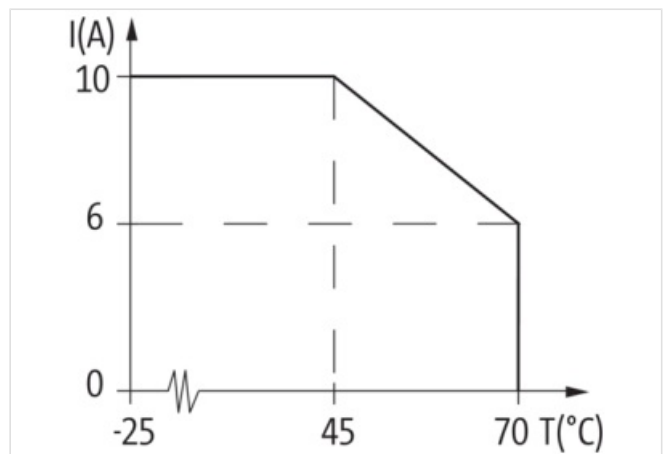
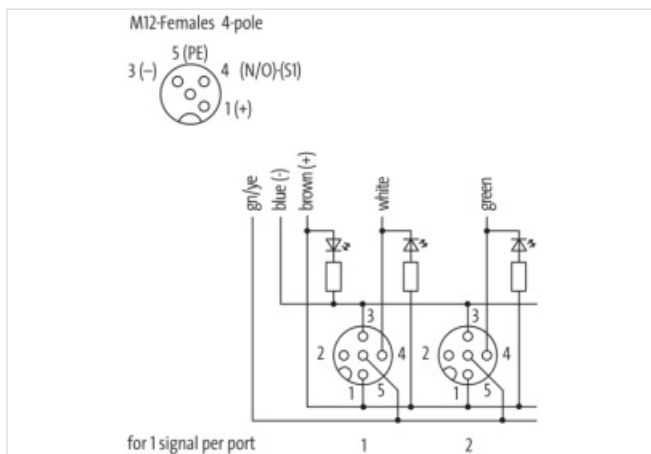
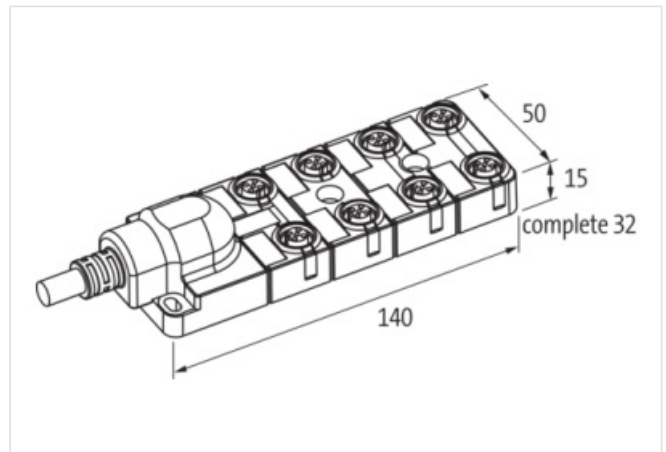
PUR/PVC

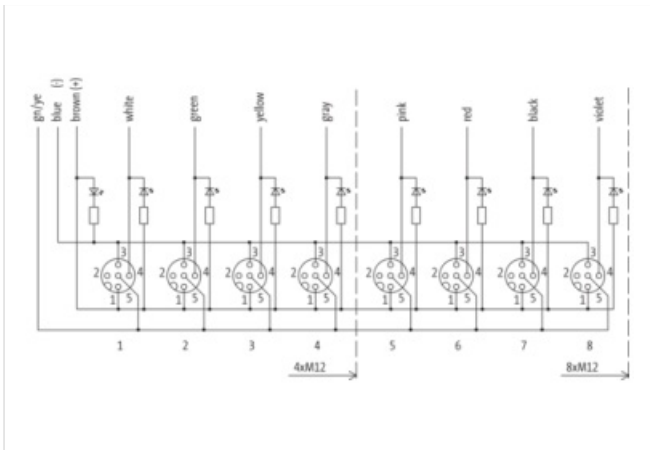
5.0 m

Further cable lengths on request.

Plastic housings with good resistance against chemicals and oils.

The resistance to aggressive media should be individually tested for your application. Further details on request.

[Link to Product](#)**Illustration**



Product may differ from Image



Commercial data

URL Webshop	https://shop.murrelektronik.com/8000-88411-3620500
GTIN	4048879054232
ECLASS-6.0	27143423
ECLASS-6.1	27279219
ECLASS-7.0	27279219
ECLASS-7.1	27279219
ECLASS-8.0	27279219
ECLASS-8.1	27279219
ECLASS-9.0	27440108
ECLASS-9.1	27440108
ECLASS-10.0.1	27440108
ECLASS-10.1	27440108
ECLASS-11.0	27440108
ECLASS-11.1	27440108
ECLASS-12.0	27440108
ECLASS-13.0	27440108
ECLASS-14.0	27440108
ETIM-5.0	EC002585
ETIM-6.0	EC002585
ETIM-7.0	EC002585
ETIM-8.0	EC002585
EAN	4048879054232

Electrical data | Supply

Operating voltage DC	24 V
Current operating per contact max.	4 A

Device protection | Electrical

Degree of protection (EN IEC 60529)	IP67, IP65
-------------------------------------	------------

Device protection | Media

Flame resistance	flame retardant
------------------	-----------------

Mechanical data | Material data

Material housing	Plastic
------------------	---------

Environmental characteristics | Climatic

The information in this Product-PDF has been compiled with the utmost care.

Liability for the correctness completeness and topicality of the information is restricted to gross negligence. Version: 2025-07-20

Operating temperature min.	-20 °C
Operating temperature max.	70 °C
Additional condition temperature range	depending on cable quality
Installation Cable	
Cable Type	2
Function cable	Hybrid, Signal, Power
Amount stranding	1
Stranding	Wires
Amount stranding (type 2)	1
Stranding (type 2)	Wires
Filler	yes
Wire arrangement	white, violet, (, green, yellow, gray, pink, red, black, brown, blue, green-yellow,)
Cable weight	115.5 g/m
Material wire insulation	PVC
Amount wires	8
Outer diameter insulation	1.3 mm
Outer diameter tolerance core insulation	± 0.1 mm
Shore hardness wire insulation	43
Material properties wire insulation	good machinability
Ingredient freeness wire insulation	CFC-free, cadmium-free, silicone-free, lead-free
Amount strands (wire)	19
Diameter of single wires	0.15 mm
Conductor crosssection (wire)	0.34 mm ²
Material conductor wire	Stranded copper wire, bare
Conductor type (wire)	Strand class 5
Material wire insulation (type 3)	PVC
Outer diameter wire insulation (type 3)	1.8 mm
Tolerance outer diameter wire insulation (type 3)	± 0.1 mm
Shore hardness wire insulation (type 3)	43
Material properties wire insulation (type 3)	good machinability
Ingredient freeness wire insulation (type 3)	CFC-free, cadmium-free, silicone-free, lead-free
Amount wires (type 3)	3
Amount strands wire (type 3)	24
Diameter of single wires (type 3)	0.2 mm
Wire conductor cross section (type 3)	0.75 mm ²
Material conductor wire (type 3)	Stranded copper wire, bare
Conductor type wire (type 3)	Strand class 5
Outer-diameter (jacket)	8.1 mm
Tolerance outer diameter (sheath)	± 5 %
Material jacket	PUR
Shore hardness jacket	87
Freedom from ingredients (jacket)	CFC-free, cadmium-free, silicone-free, lead-free
Material property (jacket)	matte, good machinability, abrasion-resistant, low adhesion
Material inner jacket	PVC
Color (inner jacket)	gray
Conductor resistance (wire)	57 Ω/km @ 20 °C
Conductor resistance (wire type 3)	26 Ω/km @ 20 °C
Max. rated voltage (conductor - ground)	300 V
Max. rated voltage (conductor - conductor)	300 V
Withstand voltage (wire - wire)	2 kV @ 60 s
Withstand voltage (wire - jacket)	2 kV @ 60 s
Current load capacity (standard)	to DIN VDE 0298-4
Current load capacity min. wire	4 A

The information in this Product-PDF has been compiled with the utmost care.

Liability for the correctness completeness and topicality of the information is restricted to gross negligence. Version: 2025-07-20

Current carrying capacity min. wire (type 3)	7.8 A
Min. operating temperature (static)	-30 °C
Max. operating temperature (fixed)	80 °C
Operating temperature min. (dynamic)	-5 °C
Operating temperature max. (dynamic)	70 °C
Operating temperature min. (drag chain)	-5 °C
Operating temperature max. (drag chain)	60 °C
Bending radius (fixed)	5 × Outer diameter
Bending radius (dynamic)	10 × Outer diameter
No. of bending cycles (C-track)	2 Mio. @ 25 °C
Traversing distance (C-track)	5 m @ 25 °C
Travel speed (C-track)	10 m/s @ 25 °C
Acceleration (C-track)	5 m/s ² @ 25 °C

Connection type 2

Family construction form	free cable end
No. of poles	11
Family construction form	M12
No. of poles	4
Coding	A
Gender	female
Color contact carrier	black
PIN 1	+
PIN 2	n.c.
PIN 3	-
PIN 4	NO S 1
PIN 5	PE