

EXACT12, 8XM12, 5-POLE, BASIC HOUSING, NPN-LED'S

Without homerun-cable

Art.No.: 8000-88501-0000000

Weight: 0.127 kg

Country of origin: DE

Model designation: MVP12N-MK8F-NP

8-way, 5-pole

Form NPN

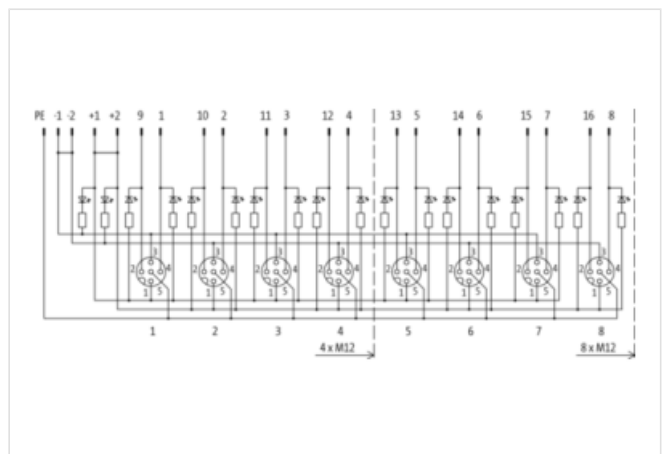
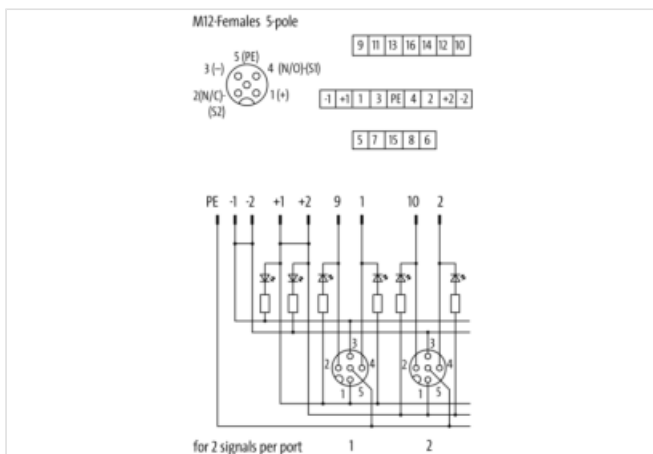
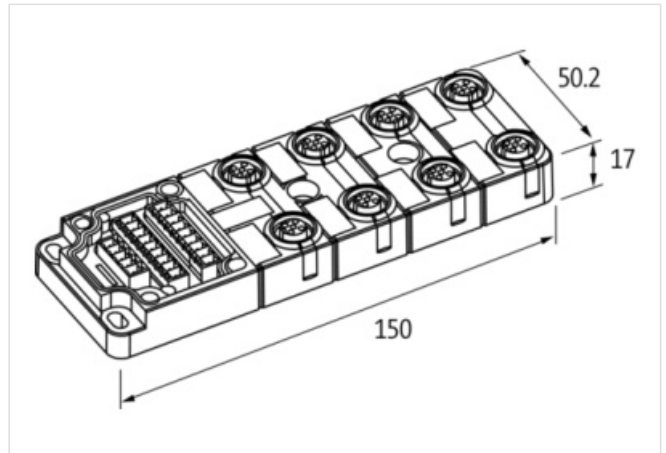
Screw plug-in terminals

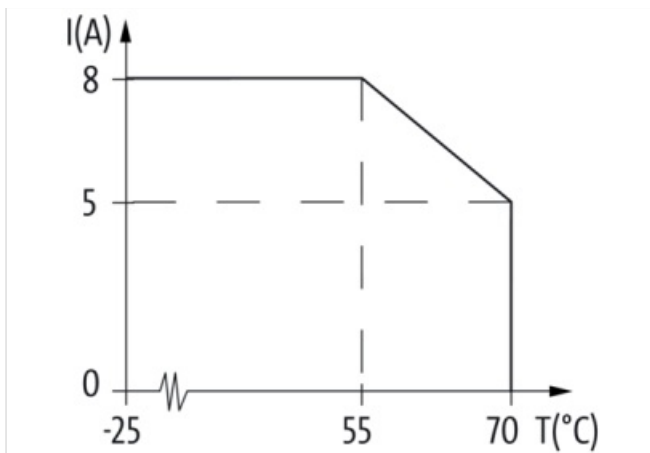
Plastic housings with good resistance against chemicals and oils.

The resistance to aggressive media should be individually tested for your application. Further details on request.

[Link to Product](#)

Illustration





Product may differ from Image

**Commercial data**

| | |
|-----------------------|---|
| URL Webshop | https://shop.murrelektronik.com/8000-88501-0000000 |
| GTIN | 4048879054058 |
| Customs tariff number | 85366990 |
| ECLASS-6.0 | 27143423 |
| ECLASS-6.1 | 27279219 |
| ECLASS-7.0 | 27279219 |
| ECLASS-7.1 | 27279219 |
| ECLASS-8.0 | 27279219 |
| ECLASS-8.1 | 27279219 |
| ECLASS-9.0 | 27440111 |
| ECLASS-10.0.1 | 27440111 |
| ECLASS-10.1 | 27440111 |
| ECLASS-11.0 | 27440111 |
| ECLASS-11.1 | 27440111 |
| ECLASS-12.0 | 27440111 |
| ECLASS-13.0 | 27440111 |
| ECLASS-14.0 | 27440111 |
| ETIM-5.0 | EC002585 |
| ETIM-6.0 | EC002585 |
| ETIM-7.0 | EC002585 |
| ETIM-8.0 | EC002585 |
| customs tariff number | 85366990 |
| EAN | 4048879054058 |
| Packaging unit | 1 |

Electrical data | Supply

| | |
|------------------------------------|------|
| Operating voltage DC | 24 V |
| Current operating per contact max. | 4 A |
| Total current max. | 8 A |

Device protection | Electrical

| | |
|-------------------------------------|------------|
| Degree of protection (EN IEC 60529) | IP67, IP65 |
|-------------------------------------|------------|

Device protection | Media

| | |
|------------------|-----------------|
| Flame resistance | flame retardant |
|------------------|-----------------|

The information in this Product-PDF has been compiled with the utmost care.

Liability for the correctness completeness and topicality of the information is restricted to gross negligence. Version: 2026-05-05

Murrelektronik Inc. | 1327 Northbrook Parkway, Suite 460 | Suwanee, GA 30024 | Fon +1 770 497-9292 | Fax +1 770 497-9391 | shop@murrinc.com | shop.murrinc.com

Mechanical data | Material data

| | |
|---------|---------|
| housing | Plastic |
|---------|---------|

Environmental characteristics | Climatic

| | |
|----------------------------|--------|
| Operating temperature min. | -20 °C |
| Operating temperature max. | 70 °C |
