

EXACT12, 8XM12, 5-POLE, MOULDED CABLE

3.0m PUR/PVC 16x0,34+3X0.75, UL/CSA

Art.No.: 8000-88510-3980300

Weight: 0.700 kg

Country of origin: DE

Model designation: MVP12N-AN8F398 3.0M

8-way, 5-pole

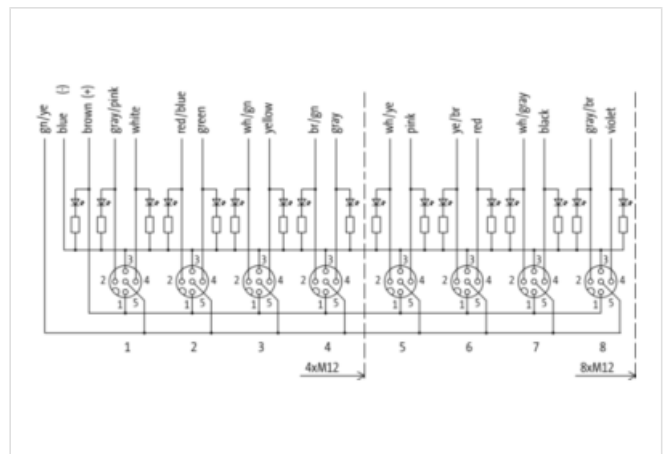
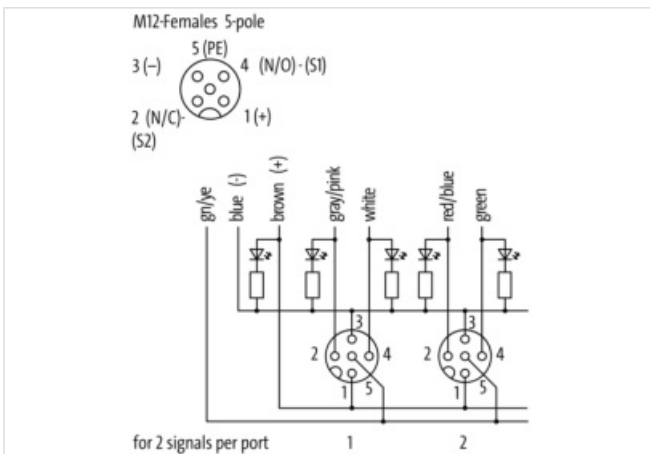
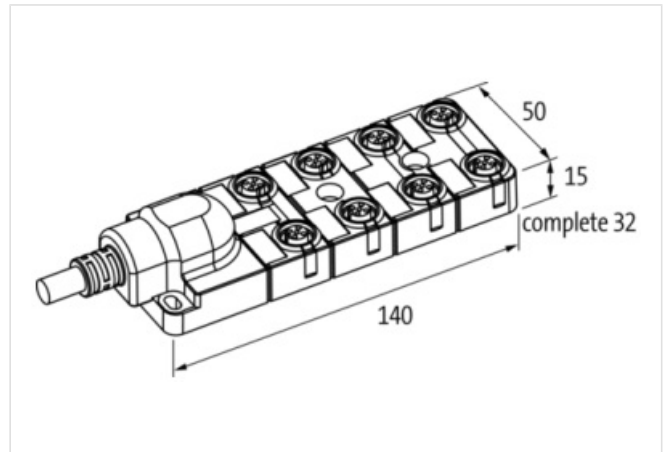
Further cable lengths on request.

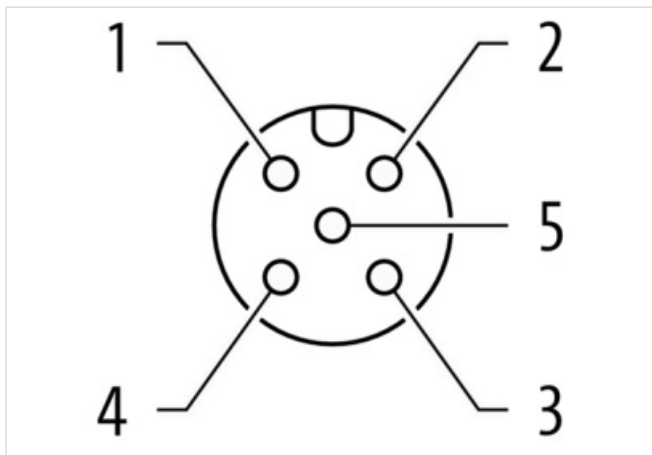
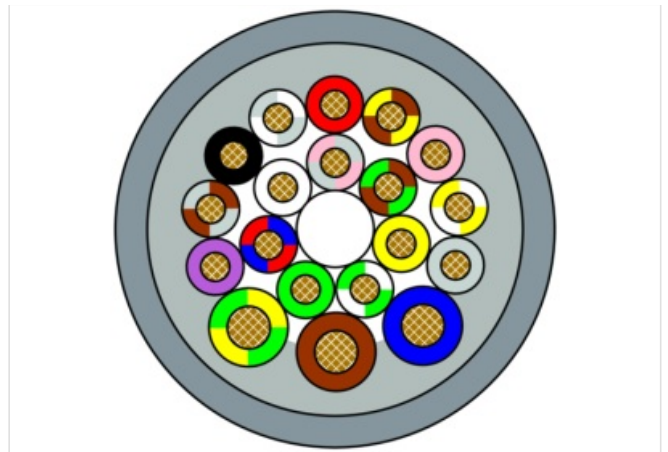
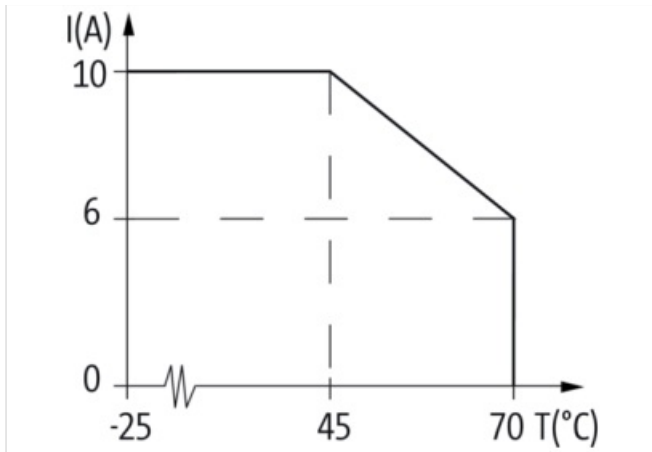
Plastic housings with good resistance against chemicals and oils.

The resistance to aggressive media should be individually tested for your application. Further details on request.

[Link to Product](#)

Illustration





Product may differ from Image



Commercial data	
URL Webshop	https://shop.murrelektronik.com/8000-88510-3980300
GTIN	4048879054034
Customs tariff number	85444290
ECLASS-6.0	27143423
ECLASS-6.1	27279219
ECLASS-7.0	27279219
ECLASS-7.1	27279219
ECLASS-8.0	27279219
ECLASS-8.1	27279219
ECLASS-9.0	27440108
ECLASS-9.1	27440108
ECLASS-10.0.1	27440108
ECLASS-10.1	27440108
ECLASS-11.0	27440108
ECLASS-11.1	27440108
ECLASS-12.0	27440108
ECLASS-13.0	27440108
ECLASS-14.0	27440108

The information in this Product-PDF has been compiled with the utmost care. Liability for the correctness completeness and topicality of the information is restricted to gross negligence. Version: 2026-05-02

ETIM-5.0	EC002585
ETIM-6.0	EC002585
ETIM-7.0	EC002585
ETIM-8.0	EC002585
customs tariff number	85444290
EAN	4048879054034
Packaging unit	1

Electrical data | Supply

Operating voltage DC	24 V
Current operating per contact max.	4 A

Installation | Connection

Mounting set	M12 x 1
--------------	---------

Device protection | Electrical

Degree of protection (EN IEC 60529)	IP67, IP65
-------------------------------------	------------

Device protection | Media

Flame resistance	flame retardant
------------------	-----------------

Mechanical data | Material data

housing	Plastic
---------	---------

Mechanical data | Mounting data

Mounting method	Schraubgewinde
Cable length	3 m

Environmental characteristics | Climatic

Operating temperature min.	-20 °C
Operating temperature max.	70 °C
Additional condition temperature range	depending on cable quality

Installation | Cable

Cable identification	398
Cable Type	2
Function cable	Hybrid, Signal, Power
Cable weight	150 g/m
UL AWM Style	20549 / 1731
Stranding	1 × 7 wires around core filler twisted
Stranding (type 2)	1 × 12 wires stranded around stranding combination
Filler	Yes
Wire arrangement	(WH, GYPK, BNGN, YE, GNWH, GN, RDBU), BNGY, BK, GYWH, RD, BNYE, PK, YEWH, GY, BU, BN, GNYE, VT
Material wire insulation	PVC
Amount wires	16
Outer diameter insulation	1,3 mm
Outer diameter tolerance core insulation	± 0,1 mm
Conductor crosssection (wire)	0,34 mm ²
Material conductor wire	Stranded copper wire, bare
Amount strands (wire)	19
Diameter of single wires	0,15 mm
Material properties wire insulation	good machinability
Ingredient freeness wire insulation	lead-free, cadmium-free, CFC-free, silicone-free
Electrical function wire (type 2)	Power
Material wire insulation (type 2)	PVC
Amount wires (type 2)	3
Outer diameter wire insulation (type 2)	1,8 mm
Tolerance outer diameter wire insulation (type 2)	± 0,1 mm

Conductor crosssection (wire type 2)	0,75 mm ²
Material conductor wire (type 2)	Stranded copper wire, bare
Amount strands wire (type 2)	42
Diameter of single wires (type 2)	0,15 mm
Material properties wire insulation (type 2)	good machinability
Ingredient freeness wire insulation (type 2)	lead-free, cadmium-free, CFC-free, silicone-free
Material jacket	PUR
Outer-diameter (jacket)	10 mm
Tolerance outer diameter (sheath)	± 5 %
Jacket Color	gray / RAL 7040
Material inner jacket	PVC
Color (inner jacket)	gray
Freedom from ingredients (jacket)	lead-free, cadmium-free, CFC-free, silicone-free
Material property (jacket)	abrasion-resistant, low adhesion, good machinability, matte
Conductor resistance (wire)	57 Ω/km @ 20 °C
Conductor resistance (wire type 2)	26 Ω/km @ 20 °C
Max. rated voltage (conductor - ground)	300 V
Max. rated voltage (conductor - conductor)	300 V
Withstand voltage (wire - wire)	2 kV @ 60 s
Withstand voltage (wire - jacket)	2 kV @ 60 s
Current load capacity max. (wire)	4 A
Current load capacity max. Wire (type 2)	12 A
Current load capacity (standard)	to DIN VDE 0298-4
Operating temperature min. (static)	-30 °C
Operating temperature (static)	-30 °C ... 80 °C
Operating temperature min. (dynamic)	-5 °C
Operating temperature (dynamic)	-5 °C ... 70 °C
Operating temperature min. (drag chain)	-5 °C
Operating temperature (drag chain)	-5 °C ... 60 °C
Flame resistance	UL 1581 § 1090, CSA FT2, IEC 60332-2-2
Oil resistance	IEC 60811-404
Chemical resistance	good
Other resistances	good resistance to gasoline, resistant to hydrolysis, resistant to microbes
Bending radius (fixed)	5 × Outer diameter
Bending radius (dynamic)	10 × Outer diameter
No. of bending cycles (C-track)	2 Mio. @ 25 °C
Traversing distance (C-track)	5 m @ 25 °C
Travel speed (C-track)	2 m/s @ 25 °C
Acceleration (C-track)	10 m/s ² @ 25 °C

Connection type 2

Family construction form	free cable end
No. of poles	19
Family construction form	M12
No. of poles	5
Coding	A
Gender	female
Color contact carrier	black
PIN 1	+
PIN 2	NC S 2
PIN 3	-
PIN 4	NO S 1
PIN 5	PE