

CAP BIG WITH PLUG. SPRING TERM. 21-POLE

For use with 4-,6-,8-way d-box M12 5-pole

Art.No.: 8000-88549-0000000

Weight: 0.048

Country of origin: CZ

Model designation: MVZ12-HFK21H MVMX 21P.

Cap for 4-, 6-, and 8-way distribution box, 5-pole

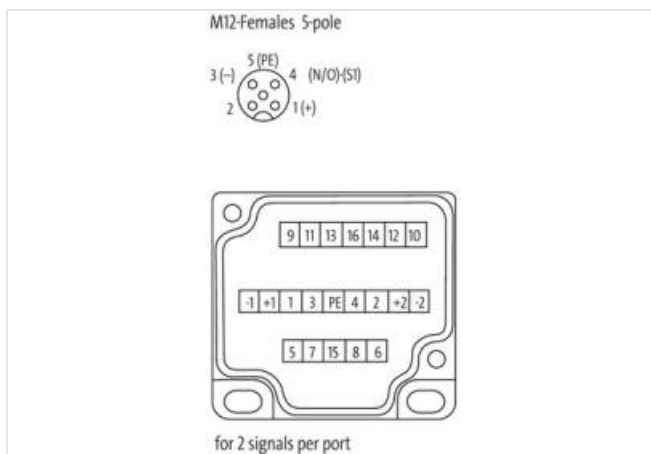
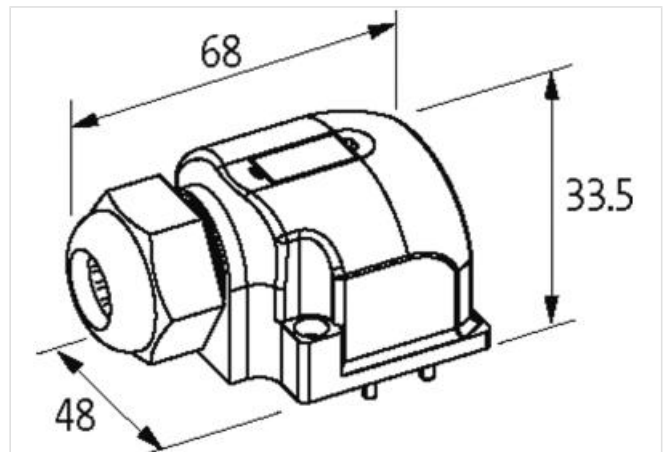
Spring clamp plug-in terminals

Plastic housings with good resistance against chemicals and oils.

The resistance to aggressive media should be individually tested for your application. Further details on request.

[Link to Product](#)

Illustration



Product may differ from Image



Commercial data

ECLASS-6.0	27143423
ECLASS-6.1	27279219
ECLASS-7.0	27279219

ECLASS-8.0	27279219
ECLASS-9.0	27440111
ECLASS-10.1	27440111
ECLASS-11.1	27440111
ECLASS-12.0	27440111
ETIM-5.0	EC002585
ETIM-6.0	EC002585
ETIM-7.0	EC002585
ETIM-8.0	EC002585
customs tariff number	85369010
customs tariff number	85369010
GTIN	4048879300032
GTIN	4048879300032
Packaging unit	1
Packaging unit	1

Electrical data | Supply

Total current max.	8 A
--------------------	-----

Installation

Connection cross section max.	1,5 mm ²
-------------------------------	---------------------

AWG number max.	16
-----------------	----

Installation | Connection

Connection	Spring clamp terminals FK
------------	---------------------------

Device protection | Media

Flame resistance	flame retardant
------------------	-----------------

Mechanical data | Material data

Material housing	Plastic
------------------	---------

Environmental characteristics | Climatic

Operating temperature min.	-20 °C
----------------------------	--------

Operating temperature max.	80 °C
----------------------------	-------

Connection type 1

Family construction form	Cap
--------------------------	-----

No. of poles	21
--------------	----