

EMPARRO67 POWER SUPPLY 1-PHASE

IN: 100-240VAC OUT: 24VDC/8A

Art.No.: 9000-11112-2062020

Weight: 1.550 kg

Country of origin: CZ

Model designation: Emparro67 8-100-240/24 7/8"-7/8"

Emparro®67

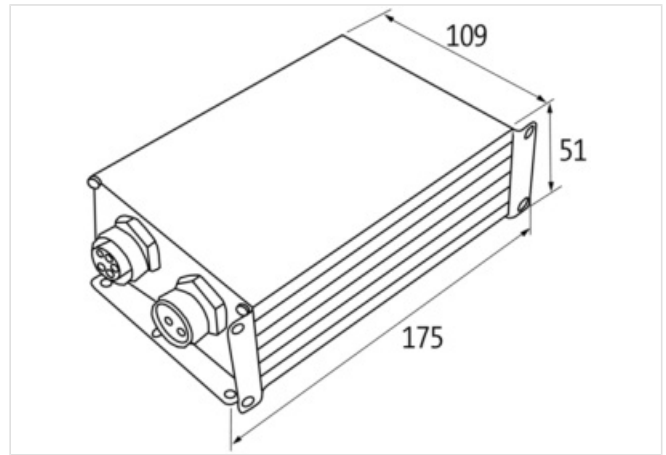
INPUT: 90...265 V AC/90...265 V DC

OUTPUT: 24 V DC (SELV), ±2%

Current: 8 A

[Link to Product](#)**Illustration**

Product may differ from Image

**Commercial data**

URL Webshop	https://shop.murrelektronik.com/9000-11112-2062020
GTIN	4048879482677
Customs tariff number	85044095
ECLASS-6.0	27049002
ECLASS-6.1	27049002
ECLASS-7.0	27049002
ECLASS-7.1	27049002
ECLASS-8.0	27049002
ECLASS-8.1	27049002
ECLASS-9.0	27040701
ECLASS-9.1	27040701
ECLASS-10.0.1	27040701
ECLASS-10.1	27040701
ECLASS-11.0	27040701
ECLASS-11.1	27040701
ECLASS-12.0	27040701
ECLASS-13.0	27040701
ECLASS-14.0	27040701

The information in this Product-PDF has been compiled with the utmost care.

Liability for the correctness completeness and topicality of the information is restricted to gross negligence. Version: 2026-05-02

Murrelektronik Inc. | 1327 Northbrook Parkway, Suite 460 | Suwanee, GA 30024 | Fon +1 770 497-9292 | Fax +1 770 497-9391 | shop@murrinc.com | shop.murrinc.com

ETIM-5.0	EC002540
ETIM-6.0	EC002540
ETIM-7.0	EC002540
ETIM-8.0	EC002540
customs tariff number	85044095
EAN	4048879482677
Packaging unit	1

Electrical data

Parallel connection	Yes
Number of devices parallel connection max.	3
Series connection	Yes
Number of devices series connection max.	2

Electrical data | Supply

Protective measure	SELV
Power frequency	50 ... 60 Hz

Electrical data | Input

Input voltage AC min.	90 V
Input voltage AC max.	265 V
Nominal input voltage AC	100 V ... 240 V
Input voltage DC min.	90 V
Input voltage DC max.	265 V
Nominal current AC	2.1 A @ 100 V, 0.9 A @ 240 V
Inrush current max.	7 A @ 230 V
Power factor	230 V AC
Efficiency	93.5 % @ 115 V AC 94.2 % @ 230 V AC
Characteristic back-up fuse	Inertia
Fuse protection primary side internal	6,3 A

Electrical data | Output

Output voltage adjustable	No
Output voltage DC	24 V
Output voltage DC min.	23,52 V
Output voltage DC max.	24,48 V
Output current	8 A
Mains failure bridging min.	35 ms @ 230 V AC
Power Boost	150 %
Duration Power Boost min.	4 s
Spikes (s-s) max.	300 mV
Ripple effective max.	30 mV

Device protection | Electrical

Degree of protection (EN IEC 60529)	IP67
Overload protection output	Yes
Short-circuit protection output	Yes
Overtemperature protection output	Yes

Mechanical data | Mounting data

Height	51 mm
Width	109 mm
Depth	175 mm
Suitable for mounting type	6 hole screw mounting

Environmental characteristics | Electromagnetic compatibility

Interference emission	EN IEC 55011, IEC 61000-3-2
-----------------------	-----------------------------

Environmental characteristics | Climatic

Operating temperature min.	-40 °C
Operating temperature max.	60 °C
Derating	60 °C
Ambient temperature (storage, transport)	-40 °C ... 80 °C
Relative humidity (operation)	4 % ... 100 %

Conformity

Product standard	EN IEC 61010-2-201, EN 61204-3
------------------	--------------------------------

Connection type 1

Connection type 1	Output
Family construction form	7/8"
No. of poles	5
Gender	female
Color contact carrier	black
PIN 1	0 V DC
PIN 2	0 V DC
PIN 3	PE
PIN 4	24 V DC
PIN 5	24 V DC