

MICO electronic circuit protection, 2 CHANNELS

IN: 24 V DC OUT: 24 V DC / 1-2-3-4 A CL2

Art.No.: 9000-41042-0100400

Weight: 0.120 kg

Country of origin: CZ

Model designation: MICO 2.4

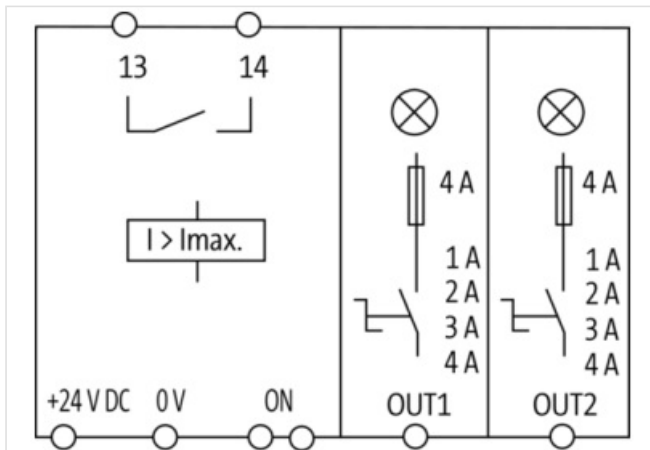
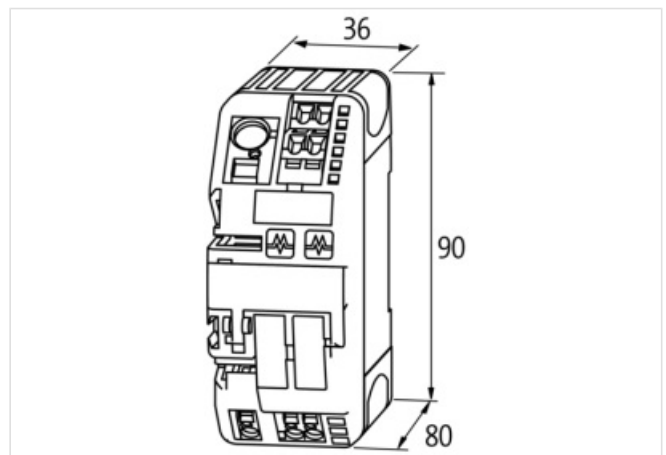
MICO 2.4

2 channels

Current adjustment 1, 2, 3, 4 A

Link to Product

Illustration



Product may differ from Image



Commercial data

URL Webshop	https://shop.murrelektronik.com/9000-41042-0100400
GTIN	4048879064828
Customs tariff number	85363010
ECLASS-6.0	27371802

ECLASS-6.1	27371802
ECLASS-7.0	27371802
ECLASS-7.1	27371802
ECLASS-8.0	27371802
ECLASS-8.1	27371802
ECLASS-9.0	27371802
ECLASS-9.1	27371802
ECLASS-10.0.1	27371802
ECLASS-10.1	27371802
ECLASS-11.0	27371802
ECLASS-11.1	27371802
ECLASS-12.0	27371802
ECLASS-13.0	27371802
ECLASS-14.0	27371802
ETIM-5.0	EC001440
ETIM-6.0	EC001440
ETIM-7.0	EC001440
ETIM-8.0	EC001440
customs tariff number	85363010
EAN	4048879064828
Packaging unit	1

Electrical data | Input

Input voltage DC	24 V
Input voltage DC min.	18 V
Input voltage DC max.	30 V
Total current bridge set max.	40 A
ON input voltage control inputs min.	10 V
ON input voltage control inputs max.	30 V
ON pulse length control inputs high min.	20 ms

Electrical data | Output

Switch-on capacity per channel max.	20 mF
Switching voltage AC max.	30 V
Switching voltage DC max.	30 V
Switching current max.	100 mA

Installation

Connection cross-section inputs max.	16 mm ²
Connection cross-section outputs max.	4 mm ²
Connection cross-section control inputs / control outputs max.	2,5 mm ²

Mechanical data | Mounting data

Height	90 mm
Width	36 mm
Depth	80 mm
Mounting method	geschnappt
Suitable for mounting type	Mounting rail TH35, (EN 60715)

Environmental characteristics | Climatic

Operating temperature min.	0 °C
Operating temperature max.	55 °C
Ambient temperature (storage, transport)	-40 °C ... 80 °C

Connection type 8

Family construction form	Bridging Contact
No. of poles	1

Gender	female
Color contact carrier	black
PIN 1	24 V DC
Family construction form	Bridging Contact
No. of poles	1
Gender	female
Color contact carrier	black
PIN 1	0 V
Family construction form	Bridging Contact
No. of poles	2
Gender	female
Color contact carrier	black
PIN 1	On
PIN 2	13
Family construction form	terminal
No. of poles	1
Gender	female
Color contact carrier	green
Connection	Spring clamp terminals FK
PIN 1	24 V DC
Family construction form	terminal
No. of poles	1
Gender	female
Color contact carrier	green
Connection	Spring clamp terminals FK
PIN 1	0 V
Family construction form	terminal
No. of poles	2
Gender	female
Color contact carrier	green
Connection	Spring clamp terminals FK
PIN 1	Out 1
PIN 2	Out 1
Family construction form	terminal
No. of poles	2
Gender	female
Color contact carrier	green
Connection	Spring clamp terminals FK
PIN 1	Out 2
PIN 2	Out 2
Family construction form	terminal
No. of poles	4
Gender	female
Color contact carrier	green
Connection	Spring clamp terminals FK
PIN 1	On
PIN 2	On
PIN 3	13
PIN 4	14