

MICO electronic circuit protection, 2 CHANNELS

IN: 24 V DC OUT: 24 V /4-6-8-10 A

Art.No.: 9000-41042-0401000

Weight: 0.125

Country of origin: CZ

Model designation: MICO 2.10

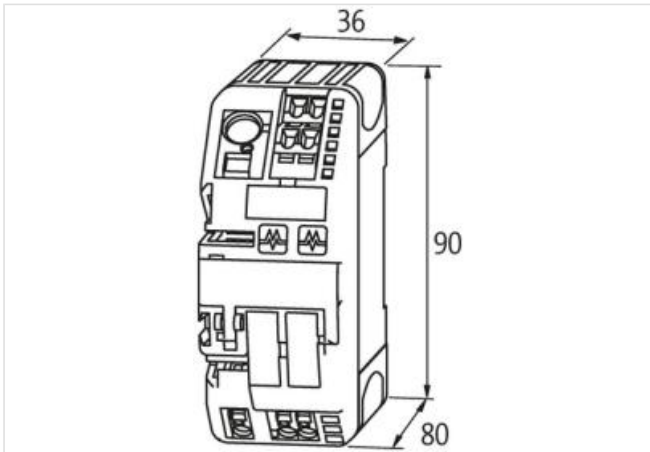
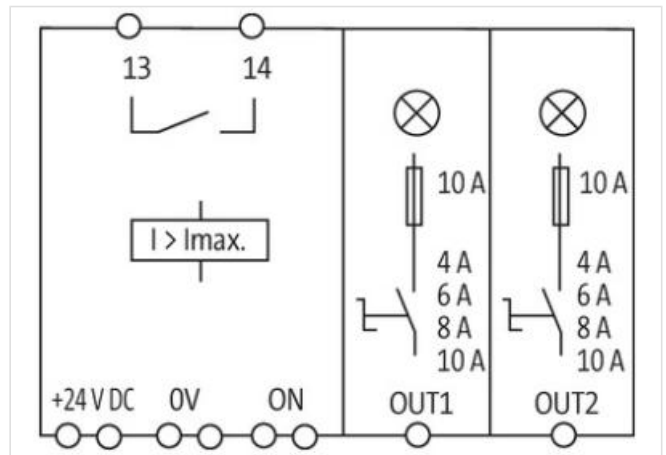
MICO 2.10

2 channels

Current adjustment 4, 6, 8, 10 A

Link to Product

Illustration



Product may differ from Image



Commercial data

ECLASS-6.0	27371802
ECLASS-6.1	27371802
ECLASS-7.0	27371802
ECLASS-8.0	27371802

ECLASS-9.0	27371802
ECLASS-10.1	27371802
ECLASS-11.1	27371802
ECLASS-12.0	27371802
ETIM-5.0	EC001440
customs tariff number	85363010
customs tariff number	85363010
GTIN	4048879000048
GTIN	4048879000048
Packaging unit	1
Packaging unit	1

Electrical data | Input

Input voltage DC	24 V
Input voltage DC min.	18 V
Input voltage DC max.	30 V
ON input voltage control inputs min.	10 V
ON input voltage control inputs max.	30 V
ON pulse length control inputs high min.	20 ms
Total current bridge set max.	40 A

Electrical data | Output

Switch-on capacity per channel max.	20 mF
Switching voltage AC max.	30 V
Switching voltage DC max.	30 V
Switching current max.	100 mA

Installation

Connection cross-section inputs max.	16 mm ²
Connection cross-section outputs max.	4 mm ²
Connection cross-section control inputs / control outputs max.	2,5 mm ²

Mechanical data | Mounting data

Mounting method	geschnappt
Suitable for mounting type	Mounting rail TH35, (EN 60715)
Height	90 mm
Width	36 mm
Depth	80 mm

Environmental characteristics | Climatic

Operating temperature min.	0 °C
Operating temperature max.	55 °C
Storage temperature min.	-40 °C
Storage temperature max.	80 °C

Connection type 8

Family construction form	Bridging Contact
Gender	female
Color contact carrier	black
No. of poles	1
PIN 1	24 V DC
Family construction form	Bridging Contact
Gender	female
Color contact carrier	black
No. of poles	1
PIN 1	0 V
Family construction form	Bridging Contact

Gender	female
Color contact carrier	black
No. of poles	2
PIN 1	On
PIN 2	13
Connection	Spring clamp terminals FK
Family construction form	terminal
Gender	female
Color contact carrier	green
No. of poles	1
PIN 1	24 V DC
Connection	Spring clamp terminals FK
Family construction form	terminal
Gender	female
Color contact carrier	green
No. of poles	1
PIN 1	0 V
Connection	Spring clamp terminals FK
Family construction form	terminal
Gender	female
Color contact carrier	green
No. of poles	2
PIN 1	Out 1
PIN 2	Out 1
Connection	Spring clamp terminals FK
Family construction form	terminal
Gender	female
Color contact carrier	green
No. of poles	2
PIN 1	Out 2
PIN 2	Out 2
Connection	Spring clamp terminals FK
Family construction form	terminal
Gender	female
Color contact carrier	green
No. of poles	4
PIN 1	On
PIN 2	On
PIN 3	13
PIN 4	14