

MICO BASIC 4.6 electronic circuit protection, 4 CHANNELS

IN: 24 V DC OUT: 24 V DC / 6 A

Art.No.: 9000-41064-0600000

Weight: 0.09

Country of origin: CZ

Model designation: MICO Basic 4.6

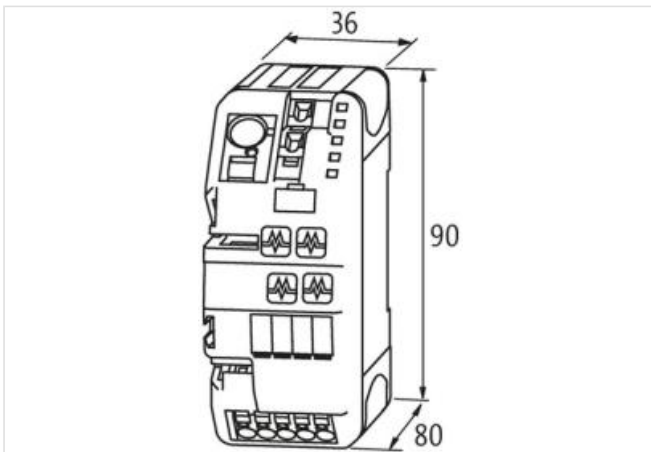
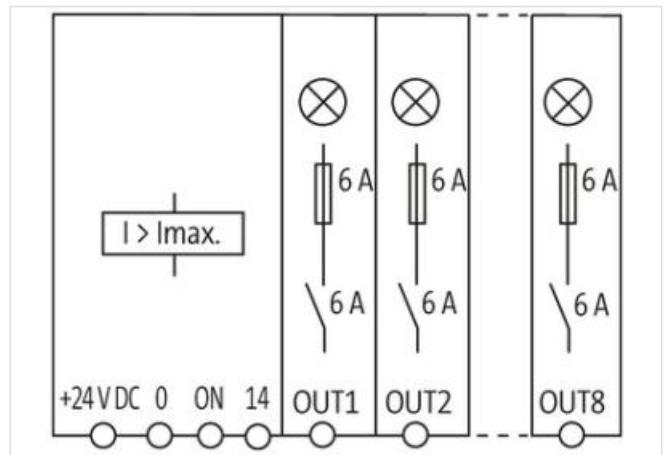
MICO BASIC 4.6

4 channels

Current adjustment 6 A

Link to Product

Illustration



Product may differ from Image



Commercial data

ECLASS-6.0	27371802
ECLASS-6.1	27371802
ECLASS-7.0	27371802
ECLASS-8.0	27371802

ECLASS-9.0	27371802
ECLASS-10.1	27371802
ECLASS-11.1	27371802
ECLASS-12.0	27371802
ETIM-5.0	EC001440
customs tariff number	85363010
customs tariff number	85363010
GTIN	4048879332422
GTIN	4048879332422
Packaging unit	1
Packaging unit	1

Electrical data | Input

Input voltage DC	24 V
Input voltage DC min.	18 V
Input voltage DC max.	30 V
ON input voltage control inputs min.	10 V
ON input voltage control inputs max.	30 V
ON pulse length control inputs high min.	20 ms
Total current bridge set max.	40 A

Electrical data | Output

Switch-on capacity per channel max.	20 mF
Switching current max.	20 mA

Installation

Connection cross-section inputs max.	16 mm ²
Connection cross-section outputs max.	4 mm ²
Connection cross-section control inputs / control outputs max.	2,5 mm ²

Mechanical data | Mounting data

Mounting method	geschnappt
Suitable for mounting type	Mounting rail TH35, (EN 60715)
Height	90 mm
Width	36 mm
Depth	80 mm

Environmental characteristics | Climatic

Operating temperature min.	0 °C
Operating temperature max.	55 °C
Storage temperature min.	-40 °C
Storage temperature max.	80 °C

Connection type 5

Family construction form	Bridging Contact
Gender	female
Color contact carrier	black
No. of poles	1
PIN 1	24 V DC
Family construction form	Bridging Contact
Gender	female
Color contact carrier	black
No. of poles	1
PIN 1	0 V
Connection	Spring clamp terminals FK
Family construction form	terminal
Gender	female

Color contact carrier	green
No. of poles	1
PIN 1	24 V DC
Connection	Spring clamp terminals FK
Family construction form	terminal
Gender	female
Color contact carrier	green
No. of poles	2
PIN 1	On
PIN 2	14
Connection	Spring clamp terminals FK
Family construction form	terminal
Gender	female
Color contact carrier	green
No. of poles	5
PIN 1	0 V
PIN 2	Out 1
PIN 3	Out 2
PIN 4	Out 3
PIN 5	Out 4