

Mico Pro PS 10-100-240/24

IN: 90- 265VAC OUT: 24-28V/10ADC / Cover plate included (heavy duty)

Art.No.: 9000-41190-0000110

Weight: 0.650 kg

Country of origin: CZ

Model designation: Mico Pro PS 10-100-240/24

INPUT: 90...265 V AC

OUTPUT: 24...28 V DC

Current: 10 A

Build your own Mico Pro® online:

[START](#)

Mains failure bridging min.

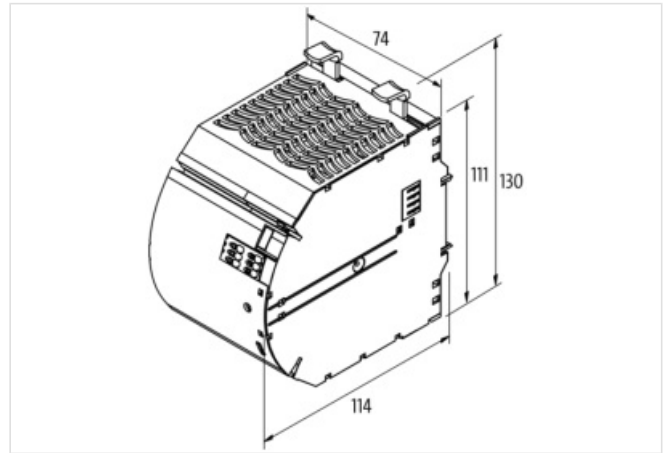
min. 44 ms (115 V AC); min. 44 ms (230 V AC)

Link to Product

Illustration



Product may differ from Image



Commercial data

URL Webshop	https://shop.murrelektronik.com/9000-41190-0000110
GTIN	4048879695817
ECLASS-6.0	27141901
ECLASS-6.1	27049002
ECLASS-7.0	27049002
ECLASS-7.1	27049002
ECLASS-8.0	27049002
ECLASS-8.1	27049002
ECLASS-9.0	27040701
ECLASS-9.1	27040701
ECLASS-10.0.1	27040701
ECLASS-10.1	27040701
ECLASS-11.0	27040701
ECLASS-11.1	27040701

ECLASS-12.0	27040701
ECLASS-13.0	27040701
ECLASS-14.0	27040701
ETIM-5.0	EC001440
ETIM-6.0	EC001440
ETIM-7.0	EC001440
ETIM-8.0	EC001440
customs tariff number	85044083
EAN	4048879695817
Packaging unit	1

Electrical data

Parallel connection	Yes
Number of devices parallel connection max.	2
Series connection	No

Electrical data | Supply

Security level	SELV
Power frequency	50 ... 60 Hz

Electrical data | Input

Input voltage AC min.	90 V
Input voltage AC max.	265 V
Nominal input voltage AC	115 V ... 230 V
Nominal current AC	3.7 A @ 115 V, 1.7 A @ 230 V
Inrush current max.	25 A
Power factor	115 V AC @ 230 V AC
Efficiency	91.8 % @ 115 V AC 93.6 % @ 230 V AC
Characteristic back-up fuse	Inertia
Fuse protection primary side internal	6,3 A
ON input voltage control inputs min.	9 V
ON input voltage control inputs max.	30 V
CTRL signal	ON/OFF
CTRL input voltage control inputs high min.	9 V
CTRL input voltage control inputs high max.	30 V
ON pulse length control inputs high min.	120 ms

Electrical data | Output

Output voltage adjustable	Yes
Output voltage DC	24 V
Output voltage DC min.	24 V
Output voltage DC max.	28 V
Output current	10 A
Spikes (s-s) max.	380 mV
Ripple effective max.	20 mV
Switching voltage AC max.	30 V
Switching voltage DC max.	30 V

Installation | Connection

Connection	Push-In spring clamp terminals
------------	--------------------------------

Device protection | Electrical

Degree of protection (EN IEC 60529)	IP20
Overload protection output	Yes
Short-circuit protection output	Yes
Overtemperature protection output	Yes

Mechanical data | Mounting data

Height	130 mm
Width	74 mm
Depth	114 mm
Mounting method	geschnappt
Suitable for mounting type	Mounting rail TH35, (EN 60715)

Environmental characteristics | Electromagnetic compatibility

Interference emission	IEC 61000-3-2
-----------------------	---------------

Environmental characteristics | Climatic

Operating temperature min.	-25 °C
Operating temperature max.	55 °C
Ambient temperature (storage, transport)	-40 °C ... 85 °C
Relative humidity (operation)	5 % ... 95 %
Additional condition relative humidity	no condensation

Conformity

Product standard	EN IEC 61010-2-201
------------------	--------------------