

MOTOR SUPPRESSOR

Varistor, 3x575VAC/10kW

3 × 575 V AC

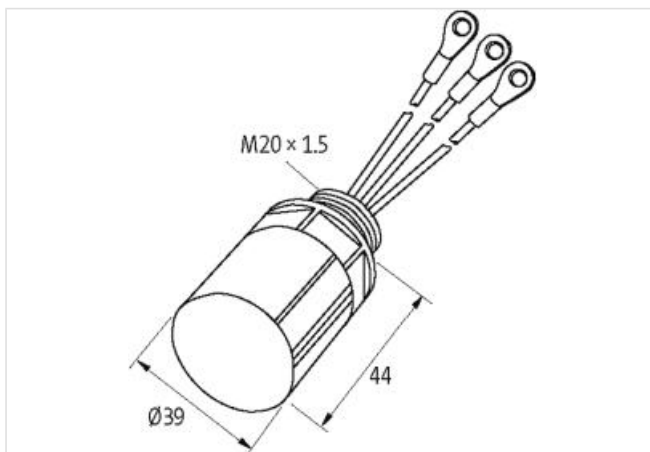
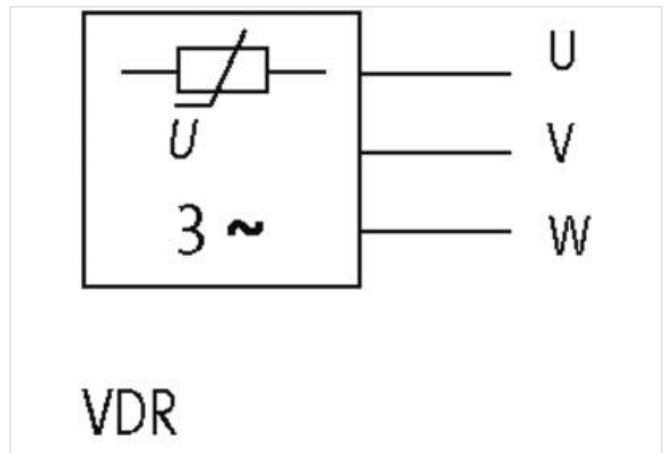
VDR

with (M20×1.5 mm) gland

Suppressors for other voltages, frequencies, and motor ratings available on request. Do not use RC motor suppressors with frequency inverters.

[Link to Product](#)

Illustration



Product may differ from Image



Technical Data

| | |
|------------------|---|
| Input voltage | 575...575 V AC |
| Material | Flame retardant plastic acc. to (UL 94) |
| Ring terminals | isolated M6 |
| Potting compound | 2-component epoxy |

General data

The information in this Product-PDF has been compiled with the utmost care.

Liability for the correctness completeness and topicality of the information is restricted to gross negligence. Version: 2023-06-04

Murrelektronik Inc. | 1327 Northbrook Parkway, Suite 460 | Suwanee, GA 30024 | Fon +1 770 497-9292 | Fax +1 770 497-9391 | shop@murrinc.com | shop.murrinc.com

| | |
|-------------------|--|
| Mounting method | on motor terminal box with plug connector |
| Temperature range | -20...+60 °C |
| Connection | approx. 150 mm, single cores 1 mm ² |
| Dimensions H×W×D | 39×39×44 mm |