

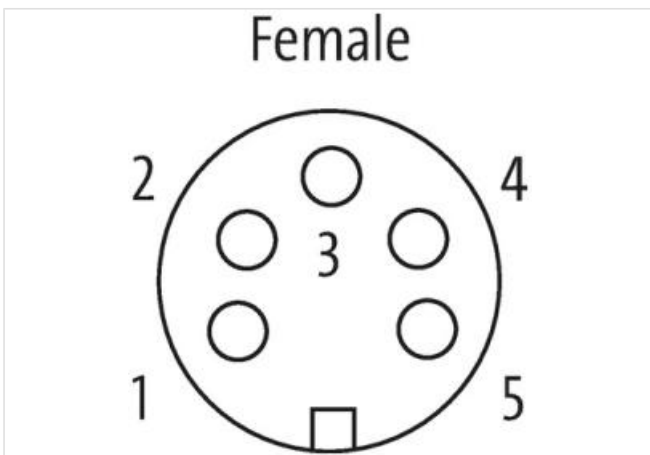
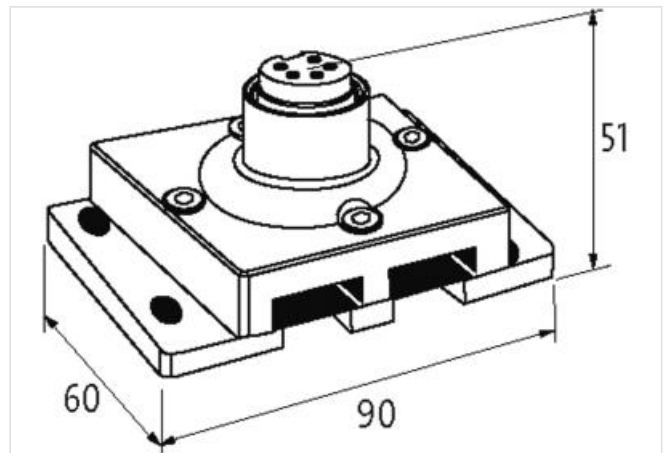
MASI67 INSTALLATION TECHNOLOGY

Converter 2x profile cable to 7/8" female

MASI67 converter
 2x profile cable to 7/8" (female)
 Connection cables are in the online shop under "Connection Technology".

[Link to Product](#)

Illustration



Product may differ from Image



Classifications

ECLASS-6.0	27400209
ECLASS-6.1	27279219
ECLASS-7.0	27279219
ECLASS-8.0	27279219
ECLASS-9.0	27440108
ECLASS-10.1	27440111

ECLASS-11.1	27440111
ECLASS-12.0	27440111
ETIM-5.0	EC001583

Technical Data

Operating voltage	max. 36 V DC
Total current	max. 8 A

Contact Layout

PIN 1	AS-Interface + (brown)
PIN 2	AS-Interface - (blue)
PIN 3	n.c.
PIN 4	+24 V (brown)
PIN 5	0 V (blue)

General data

Mounting method	DIN-rail mountable (EN 60715) or screw fixing
Temperature range	-20...+60 °C (storage temperature -40...+80 °C)
Test isolation voltage	AS-Interface/Power 200 V, (EN 60664-1)
Protection	IP67
Dimensions H×W×D	90×74×52 mm

Commercial data

customs tariff number	85369010
GTIN	4048879052160
Packaging unit	1