

MVK MPNIO DO16 M12L 4P galvanic separation

MVK ProfiNet, metal

Digital outputs

DO16 (IRT)

Ethernet 10/100 Mbit/s; M12, D-coded

M12 power, 4-pin, L-coded, 2× max. 12 A

M12, 5-pole, A-coded

FSU (Fast-Start-Up)

Galvanic isolation

Connection cables are in the online shop under "Connection Technology".

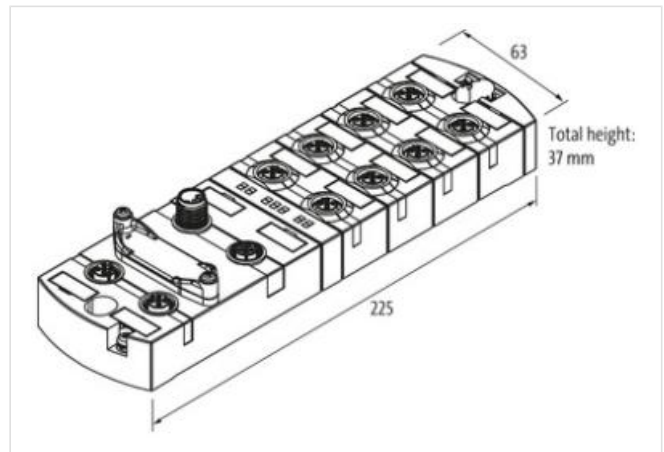
Housing fully potted.

Link to Product

Illustration



Product may differ from Image



Output

Actuator supply UA 24 V DC (EN 61131-2), max. 9 A

Switching current per output max. 2 A (short-circuit and overload protected)

General data

Mounting method 2-hole screw mounting

Temperature range -25...+55 °C (storage temperature -25...+70 °C)

Protection IP67

Dimensions H×W×D 42×63×225 mm

Diagnostic

Communication status via LED

Diagnostic via BUS per module and channel

Diagnostic via LED per module and channel

Actuator warning per channel via LED and BUS

Monitoring - under voltage yes

Monitoring - no voltage yes

Short-circuit and overload yes

Cable break per port

PROFINET	
Specification	V2.3, Conformance Class C (IRT)
Addressing	DCP
FSU (Fast-Start-Up)	max. 500 ms
PROFINET Netload Class	III
MRP	yes
Shared Device	yes, for 2 controls
Connections	
Fieldbus	Ethernet 10/100 Mbit/s; M12, D-coded
Sensor-system/actuator supply	M12 power, 4-pin, L-coded, 2× max. 12 A
I/O ports	M12, 5-pole, A-coded
Parameterization	
PIN 4	Output
PIN 2	Output