

MASI67 I/O MODULE

4 digital inputs, 4 digital outputs

Digital inputs/outputs

DI4 - 1.6 A DO4 - 2 A - 4x M12

Double assignment of M12 females, PIN 2 + 4

Sensor supply from external 24 V DC

Connection cables are in the online shop under "Connection Technology".

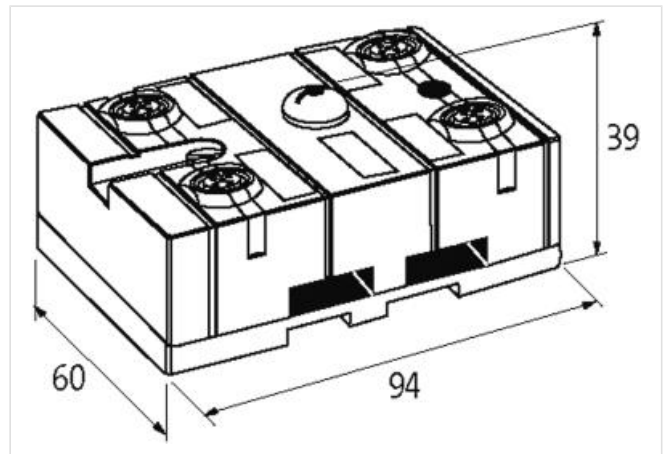
Housing fully potted.

Link to Product

Illustration



Product may differ from Image



Input

Sensor supply US	max. 1.6 A external (short-circuit and overload protected)
Type	for 3-wire sensors or mechanical switches, PNP

Output

Actuator supply UA	24 V DC external (18...30.2 V DC) EN 61131-2
Total current	max. 8 A
Switching current per output	max. 2 A (short-circuit and overload protected)

Technical Data

Bus voltage (AS-Interface)	26.5...31.6 V DC
Profile (IO/ID/ID2 code)	S-7.F.E
Addressing	via built-in address port or master
Address range	1...31
Double assignment of M12 female	yes
Total current	max. 50 mA

General data

Mounting method	DIN-rail mountable (EN 60715) or screw fixing
Temperature range	-20...+60 °C (storage temperature -20...+70 °C)
Protection	IP67
Connection	AS-Interface profile cable (black)

Dimensions H×W×D 94×60×39 mm

Diagnostic

Communication status via LED

Diagnostic via LED per module

Monitoring - no voltage yes