

MASI68 I/O MODULE

4 digital inputs, 4 digital outputs

Compact module

DI4 - 0.19 A DO4 - 0.5 A (C) - 8× M8

Connection cables are in the online shop under "Connection Technology".

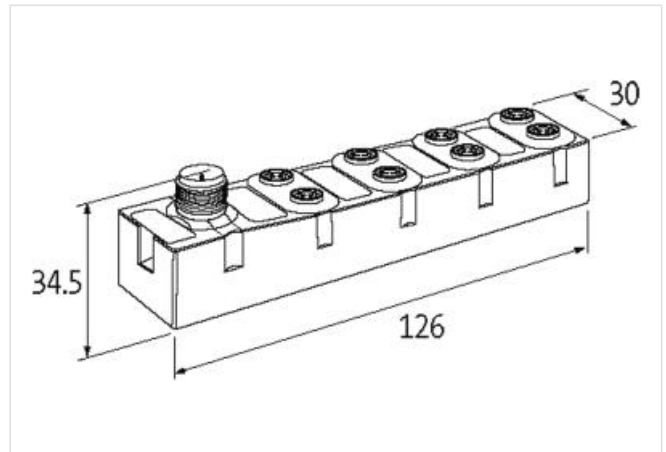
Housing fully potted.

[Link to Product](#)

Illustration



Product may differ from Image



Input

Sensor supply US	max. 190 mA from AS-Interface (short-circuit and overload protected)
Type	for 3-wire sensors or mechanical switches, PNP

Output

Supply voltage	24 V DC external (18...30.2 V DC) EN 61131-2
Total current	max. 2 A
Switching current per output	max. 0.5 A (short-circuit and overload protected)

Technical Data

Bus voltage (AS-Interface)	26.5...31.6 V DC
Profile (IO/ID/ID2 code)	S-7.0.0
Addressing	via master or M12 connection and programming device
Address range	1...31
Total current	max. 250 mA

General data

Mounting method	screw fixing
Temperature range	-20...+60 °C (storage temperature -20...+70 °C)
Protection	IP68
Dimensions H×W×D	126×30×34.5 mm

Diagnostic

Communication status	via LED
----------------------	---------

Diagnostic via LED	per module
--------------------	------------

Monitoring - no voltage	yes
-------------------------	-----

Connections

Fieldbus	A-coded
----------	---------

I/O ports	M8, 3-pole
-----------	------------