

MASI68 I/O MODULE

4 digital inputs

Compact module

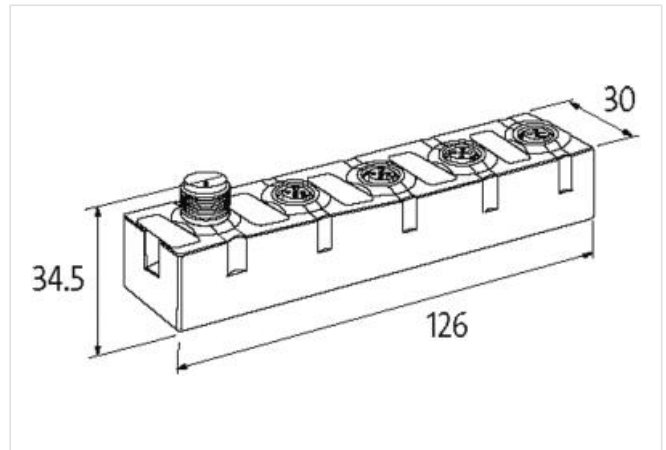
DI4 - 0.19 A (C) - 4× M12 (AB) (Y)

Connection cables are in the online shop under "Connection Technology".

Housing fully potted.

Link to Product

Illustration



Product may differ from Image



classifications

ECLASS-6.0	27242604
ECLASS-6.1	27242604
ECLASS-7.0	27242604
ECLASS-8.0	27242604
ECLASS-9.0	27242604
ECLASS-10.1	27242604
ECLASS-11.1	27242604
ECLASS-12.0	27242604
ETIM-5.0	EC001599

Connections

Fieldbus	A-coded
I/O ports	M12, 4-pole

Technical Data

ASI-Power 24	yes
Bus voltage (AS-Interface)	26.5...31.6 V DC
Profile (IO/ID/ID2 code)	S-0.A.2
Addressing	via master or M12 connection and programming device
Address range	1...62 (1...31 A or B)
Total current	max. 250 mA

Input

Sensor supply US	max. 190 mA from AS-Interface (short-circuit and overload protected)
------------------	--

M12 configuration	Y-wiring
-------------------	----------

Type	for 3-wire sensors or mechanical switches, PNP
------	--

General data

Mounting method	screw fixing
-----------------	--------------

Temperature range	-20...+60 °C (storage temperature -20...+70 °C)
-------------------	---

Protection	IP68
------------	------

Dimensions HxWxD	126x30x34.5 mm
------------------	----------------

Diagnostic

Communication status	via LED
----------------------	---------

Diagnostic via LED	per module
--------------------	------------

Monitoring - no voltage	yes
-------------------------	-----

Commercial data

customs tariff number	85176200
-----------------------	----------

GTIN	4048879048934
------	---------------

Packaging unit	1
----------------	---