

## MASI20 I/O MODULE K3

4 digital inputs, 4 digital, passive safety outputs

Digital inputs/outputs

DI4 - 0.15 A DO4 - 2 A (K3)

Safe outputs (Safety)

passive safety

Output groups up to PLd (EN ISO 13849-1) can be switched off via safety relays

Standard-Slave

Protection IP20

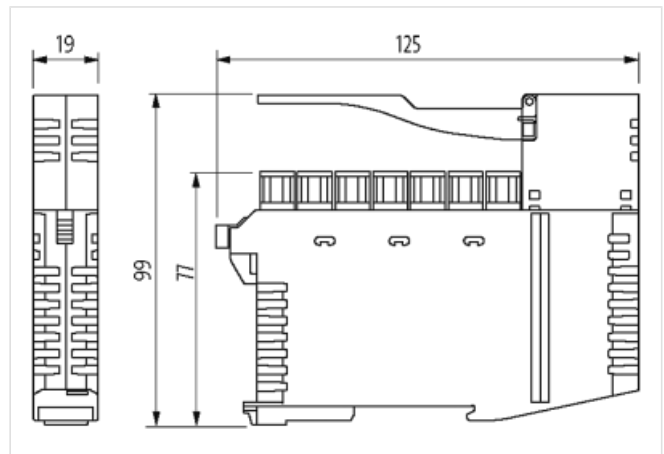
Current manuals can be downloaded at: [www.murrelektronik.com](http://www.murrelektronik.com)

### Link to Product

#### Illustration



Product may differ from Image



#### Technical Data

Total current (AS-Interface)	max. 190 mA
Bus voltage (AS-Interface)	26.5...31.6 V DC
Profile (IO/ID/ID2 code)	S-7.0.E
Addressing	via built-in address port or master
Address range	1...31 via address port

#### General data

Mounting method	DIN-rail mountable (EN 60715)
Temperature range	-25...+70 °C (storage temperature -25...+85 °C)
Protection	IP20
Connection	Push-In spring clamp terminals, 0.2...2.5 mm <sup>2</sup> (0.25...1.5 mm <sup>2</sup> )
Dimensions H×W×D	125×19×99 mm

#### Output

Supply voltage	24 V DC (20...30 V DC) EN 61131-2 by additional supply, safely separated from input supply
Switch off time in case of short circuit	approx. 20 ms
Total current	max. 4 A
Switching current per output	max. 2 A (max. 60 °C), short-circuit and overload protected

#### Input

The information in this brochure has been compiled with the utmost care.

Liability for the correctness completeness and topicality of the information is restricted to gross negligence. Version: 2023-04-01

Sensor supply US	max. 150 mA externally or from AS Interface (short-circuit and overload protected)
Supply voltage	alternatively (switchable) from AS-Interface or from 24 V DC (EN 61131-2) by additional supply
Type	for 3-wire sensors or mechanical switches, PNP
Input current	max. 5.6 mA
<hr/>	
Product article number of manufacturer	56475
<b>Diagnostic</b>	
Communication status	via LED
Diagnostic via LED	per module
Monitoring - no voltage	yes