

MASI20 I/O MODULE K3

4 digital inputs, 4 digital, passive safety outputs

Digital inputs/outputs

DI4 - 0.15 A DO4 - 2 A (AB) (K3)

Safe outputs (Safety)

passive safety

Output groups up to PLd (EN ISO 13849-1) can be switched off via safety relays

AB-Slave

Protection IP20

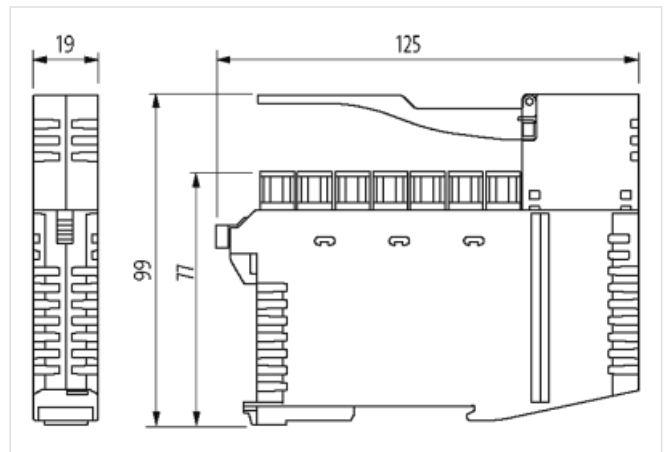
Current manuals can be downloaded at: www.murrelektronik.com

Link to Product

Illustration



Product may differ from Image



Technical Data

Total current (AS-Interface)	max. 190 mA
Bus voltage (AS-Interface)	26.5...31.6 V DC
Profile (IO/ID/ID2 code)	S-7.A.7
Addressing	via built-in address port or master
Address range	1...62 (1...31 A or B) via address port

General data

Mounting method	DIN-rail mountable (EN 60715)
Temperature range	-25...+70 °C (storage temperature -25...+85 °C)
Protection	IP20
Connection	Push-In spring clamp terminals, 0.2...2.5 mm ² (0.25...1.5 mm ²)
Dimensions H×W×D	125×19×99 mm

Output

Supply voltage	24 V DC (20...30 V DC) EN 61131-2 by additional supply, safely separated from input supply
Switch off time in case of short circuit	approx. 20 ms
Total current	max. 4 A
Switching current per output	max. 2 A (max. 60 °C), short-circuit and overload protected

Input

The information in this brochure has been compiled with the utmost care.

Liability for the correctness completeness and topicality of the information is restricted to gross negligence. Version: 2023-04-01

Sensor supply US	max. 150 mA externally or from AS Interface (short-circuit and overload protected)
Supply voltage	alternatively (switchable) from AS-Interface or from 24 V DC (EN 61131-2) by additional supply
Type	for 3-wire sensors or mechanical switches, PNP
Input current	max. 5.6 mA

Product article number of manufacturer 56476

Diagnostic

Communication status	via LED
Diagnostic via LED	per module
Monitoring - no voltage	yes