

## MASI20 I/O MODULE RELAY

4 digital inputs, 4 digital relay outputs

Digital inputs/relay outputs

DI4 - 0.15 A DO4R - 2 A

Standard-Slave

Protection IP20

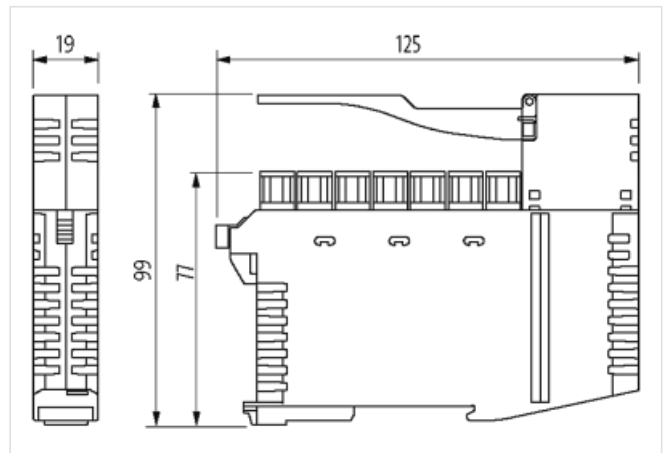
Current manuals can be downloaded at: [www.murrelektronik.com](http://www.murrelektronik.com)

### Link to Product

#### Illustration



Product may differ from Image



#### Technical Data

Total current (AS-Interface)	max. 230 mA
Bus voltage (AS-Interface)	26.5...31.6 V DC
Profile (IO/ID/ID2 code)	S-7.0.E
Addressing	via built-in address port or master
Address range	1...31 via address port

#### General data

Mounting method	DIN-rail mountable (EN 60715)
Temperature range	-25...+70 °C (storage temperature -25...+85 °C)
Protection	IP20
Connection	Push-In spring clamp terminals, 0.2...2.5 mm <sup>2</sup> (0.25...1.5 mm <sup>2</sup> )
Dimensions H×W×D	125×19×99 mm

#### Output

Supply voltage	250 V AC/30 V DC
Total current	max. 8 A
Switching current per output	2 A

#### Input

Sensor supply US	max. 150 mA externally or from AS Interface (short-circuit and overload protected)
Supply voltage	alternatively (switchable) from AS-Interface or from 24 V DC (EN 61131-2) by additional supply
Type	for 3-wire sensors or mechanical switches, PNP

Input current	max. 5.6 mA
---------------	-------------

---

Product article number of manufacturer	56477
--	-------

---

**Diagnostic**

---

Communication status	via LED
----------------------	---------

---

Diagnostic via LED	per module
--------------------	------------

---

Monitoring - no voltage	yes
-------------------------	-----