

### Reset button with 2 push buttons

Every 1 NO contact in a IP65 enclosure

R-Button / 42 2NO M12(4)

with M12 connection

4-pole

2 buttons (each 1 NO contact)

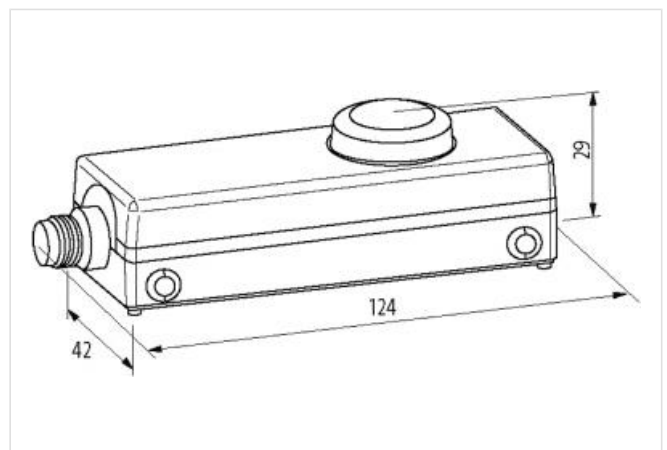
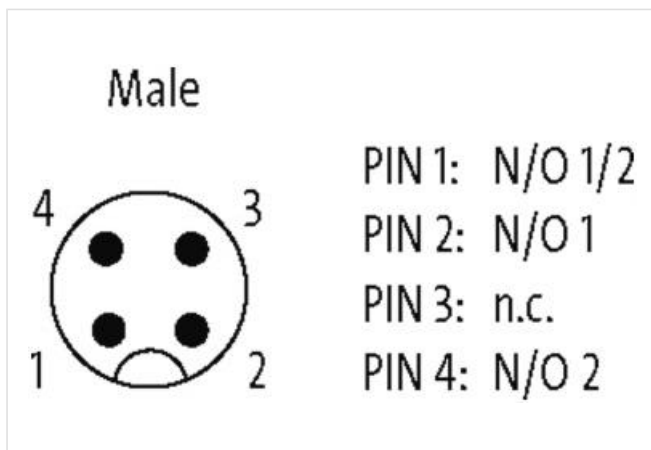
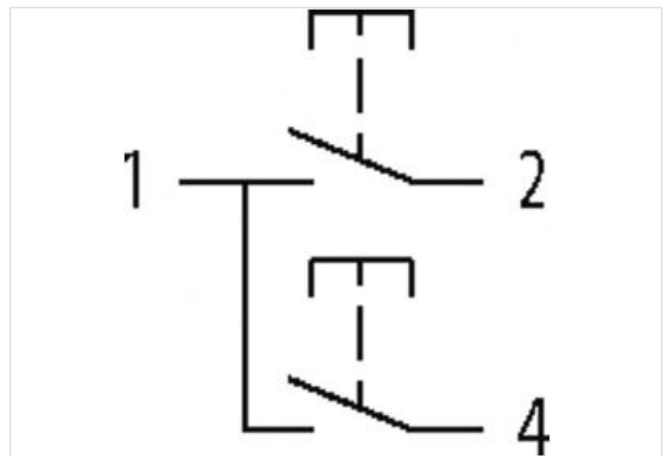
Delivery contents:

Flat lens, transparent clear, red, yellow, green, blue

Label plates, O, I, R, ↑, ↓

### Link to Product

#### Illustration



Product may differ from Image

#### Technical Data

Contact bounce time	max. 10 ms
Switching capacity	15 A (AC 15); 2.2 A (DC 13)

#### General data

Mounting method	with clip on back
Material (contact)	Ag Ni
Temperature range	-25...+70 °C (storage temperature -25...+85 °C)
Mech./ elect. life	1 000 000 operations, load-temperature dependent

Protection	IP65
Connection	M12 (4-pole)
Dimensions H×W×D	29×124×42 mm

**Contact Layout**

PIN 1	N/O 1/2
PIN 2	N/O 1
PIN 3	n.c.
PIN 4	N/O 2

**Utilization category**

AC-15	1.5 A (240 V AC)
DC-13	2 A (24 V DC)

**Commercial data**

country of origin	DE
customs tariff number	85365080
EAN	4048879594318
eClass	27371228
Packaging unit	1.000