

S-Switch 22 2NO 1x90° M12(4)

Select switch 1x90° locked

S-Switch 22 2NO 1x90° M12(4)

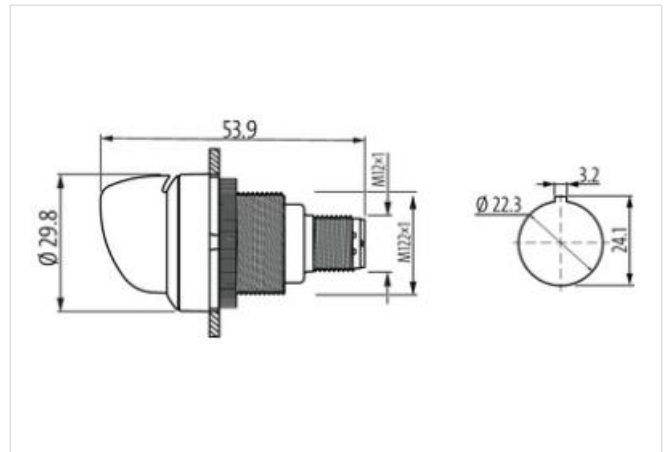
Select switch 2x40° spring return

Mounting hole 22,3 mm

Connection M12 (4-pin)

[Link to Product](#)**Illustration**

Product may differ from Image

**Electrical data**

Short-circuit current	1000 A
Short circuit protective device (SCPD)	fuse 250 V / 0.1 A / 1.5 kA gG quick
Switching current	1...100 mA
Rated voltage UL 60947	≤ 30 V AC/DC
Switching voltage	1...32 V
Rated operating current	0,1 A
Rated operating voltage (DC-13)	35 V
Rated operating voltage (AC-15)	35 V
Power rating (voltage dependent)	0,25 W
Rated surge voltage	2500 V
Rated insulation voltage	250 V

Electrical protection

Degree of protection front (EN IEC 60529)	IP65
Degree of protection back (EN IEC 60529)	IP65
Pollution Degree	2
Over voltage category	II

Mechanical data

Grid min.	30 mm
Mounting hole	22,3 mm

Mounting depth	30,1 mm
Installation height	23,8 mm
Dimensions HxWxD	29,8 x 53,9 mm
Shape collar	round
Terminal	M12, 4-pole, A-coded
Fixing	Threaded ring
Color bezel	white
Color front ring	black
Color collar	black
Color	black
Can be illuminated	no
Contact material	Gold
Contact function	2 S
Actuating function	latching
Housing	Plastic
Mechanical protection	
UL Enclosure Type Rating - front	type 4X
Mechanical endurance	200000
Mechanical endurance B10	250000
Salt-spray resistance	IEC 60068-2-11
Installation height max. ASL	≤ 2000 m
Relative humidity	≤ 93% @ 40 °C
storage temperature	-40...90 °C
operating temperature	-40...85 °C