

**MCS-A ASI POWER SUPPLY 1-PHASE,**

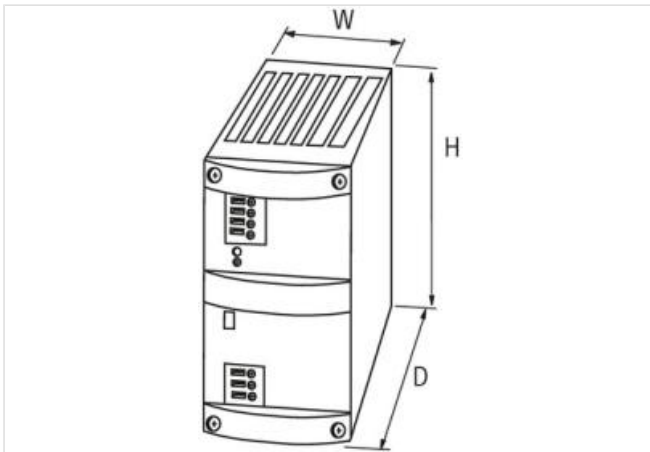
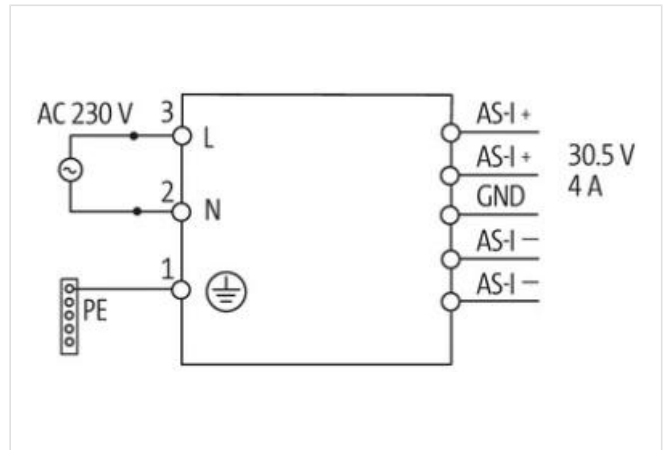
IN: 95-265VAC OUT: 30,5V/4ADC

INPUT: 95...265 V AC

Current: 4 A

Single-phase, primary switched

Protection IP20

[Link to Product](#)**Illustration**

Product may differ from Image

**General data**

Standards	IEC 61010-2-201, EN 61204-3, EN 55022 B
Mounting method	DIN-rail mountable TH35 (EN 60715)
Temperature range	-10...+40 °C, ...+55 °C derating (storage temperature -25...+85 °C)
AS-Interface	Unit complies to AS-Interface specification for power supplies (PELV)
Protection	IP20

Efficiency	83% (110 V AC); 85% (240 V AC)
Dimensions H×W×D	115×54×147 mm
<b>Output</b>	
Output voltage	30.5 V DC (SELV), ±2%
Output rating	122 W
LED display	LED (green) for output voltage
Output suppression	Filter acc. to AS-Interface specification
Output current	max. 4.0 A (+40 °C); 3.4 A (+55 °C)
Mains failure bridging time	min. 14 ms (110 V AC); min. 80 ms (230 V AC)
Ripple	max. 20 mV eff/rms
Unit protection	short-circuit and overload protected
<b>Input</b>	
Input voltage	95...265 V AC
Primary fusing external	max. 10 A (T)
Input current	2.1 A
Inrush current after 1 ms	max. 35 A (230 V AC)
Frequency	50...60 Hz
Product article number of manufacturer	85381