

Emparro AS-Interface (AS-i) Power Supply 3-PHASE,

IN: 360 - 500VAC OUT: 30-32V/4ADC

INPUT: 3× 324...572 V AC / 450...745 V DC

OUTPUT: 30...32 V DC

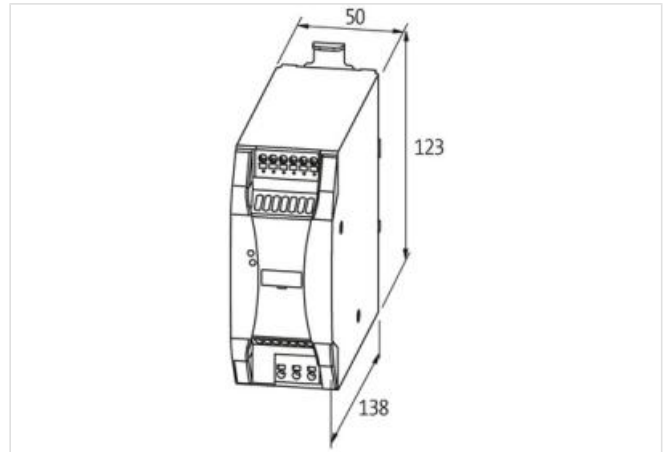
Current: 4 A

Link to Product

Illustration



Product may differ from Image



General data

Standards	IEC 61010-2-201, EN 61204-3, EN 61000-3-2, SEMI F47
Mounting method	DIN-rail mountable TH35 (EN 60715)
Temperature range	-40...+70 °C, ...+70 °C derating (storage temperature -40...+85 °C)
Relative humidity	5...95%, no condensation
Protection	IP20
Efficiency	92.5% (3× 400 V AC); 91.8% (3× 480 V AC)
Connection	Push-In spring clamp terminals
Dimensions H×W×D	143×50×143 mm

Output

Output voltage	30.5 V DC (SELV), ±1%; 30...32 V adjustable
Power Boost	I _{out} N × 150% (min. 5 s)
LED display	LED (green): OK; LED (red): overload, overheating or short-circuit
Output current	4.8 A (45 °C); 4.0 A (60 °C); 2.9 A (70 °C)
Mains failure bridging time	min. 20 ms (3× 360 V AC); 5 A (24 V DC)
Ripple	max. 20 mV eff/rms
Spikes	max. 50 mV ss/pp
Unit protection	short-circuit and overload protected, permanently by 20% (to 45 °C)
Parallel usage/serial usage	max. 3 units

Input

Input voltage	3× 324...572 V AC/450...745 V DC
Input current	0.45 A (3× 360 V AC); 0.3 A (3×500 V AC)

Inrush current after 1 ms	max. 9.5 A (3× 500 V AC)
Power factor	0.61 (3× 400 V AC)
Frequency	50..60 Hz
Input fuse (internal)	3× 6.3 A (T)

Product article number of manufacturer	85383
----------------------------------------	-------