

Cube67 I/O Cable-Module, I/O Extension Module

DO8, M12 ME Modlight, M12 8 pol., 1,5m

Expansion module

DO7 - 0.5 A (E) 0.5 m (M12)

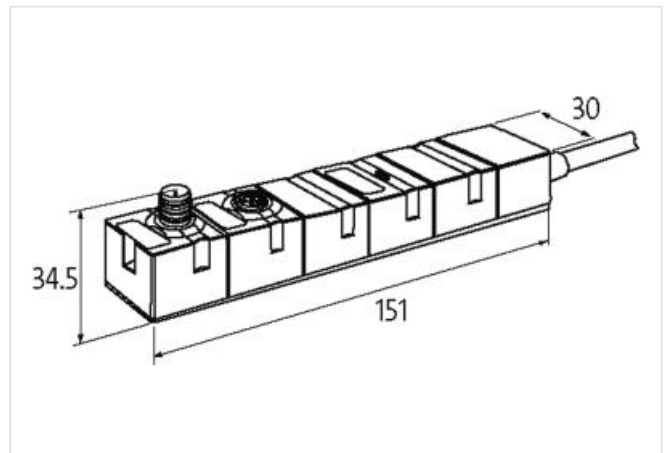
for Modlight70 Pro basic

Connection cables are in the online shop under "Connection Technology".

Housing fully potted.

Link to Product

Illustration



Product may differ from Image

General data

Mounting method	2-hole screw mounting
Temperature range	0...+55 °C (storage temperature -20...+75 °C)
Protection	IP67
Dimensions HxWxD	150x30x34.5 mm

Output

Actuator supply UA	24 V DC (EN 61131-2), via system connection (max. 4 A)
Switching current per output	max. 0.5 A (short-circuit and overload protected)

Cables

No./diameter of wires	8x 0.25 mm ²
Material (jacket)	PUR
Cable Length	0.5 m

Internal communication

LED display	US: sensor supply and internal supply voltage (green: OK); UA: actuator supply (green: OK)
Current consumption	max. 50 mA

Parameterization

I/O channels	7 outputs
--------------	-----------

Connections

Fieldbus	via internal system connection
Sensor-system/actuator supply	via internal system connection (max. 2x 4 A)
I/O ports	Modlight70 Pro – M12 (female) 8-pole

Diagnostic

Communication status	via LED
----------------------	---------

Diagnostic via LED	per module
Diagnostic via BUS	per module and channel
Actuator warning	per channel via BUS
Monitoring - under voltage	yes
Monitoring - no voltage	yes
Short-circuit and overload	yes