

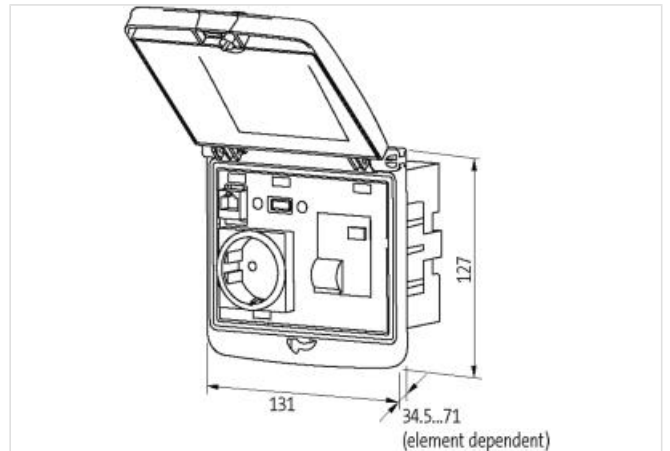
**Modlink MSDD set contains:**

Frame 4000-68522-0000001

with touch protection

[Link to Product](#)

**Illustration**



Product may differ from Image



**classifications**

ECLASS-6.0	27189234
ECLASS-6.1	27189217
ECLASS-7.0	27189217
ECLASS-8.0	27189217
ECLASS-9.0	27189217
ECLASS-10.1	27182806
ECLASS-11.1	27182806
ECLASS-12.0	27182806

ETIM-5.0

EC002625

**Frame**

Housing	Frame: plastic PA black, cap: plastic PC transparent
Temperature range	-30...+70 °C (storage temperature -30...+80 °C)
Protection	IP65
suitable for mounting with wall thickness	1...5 mm

**Fuse**

Continuous load	3 A
Operating voltage	250 V AC/32 V DC

**USA**

Connection	Screw terminals: max. 2× 6 mm <sup>2</sup> (AWG 10)
No. of poles	2 + PE
Operating voltage	125 V AC
Operating current	15 A

**RJ45**

Specification	CAT5e, Class D, 100 MHz, (EN 50173-1)
Operating voltage (UL Rating)	max. 30 V AC/42.4 V DC
Connection rear side	RJ45
Connection front side	RJ45
Locking of ports	Snap In
Operating current (UL Rating)	max. 175 mA

**Commercial data**

customs tariff number	85366990
GTIN	4048879691864
Packaging unit	1