

**Bus terminating plug M12 female A-cod.**

Devicenet

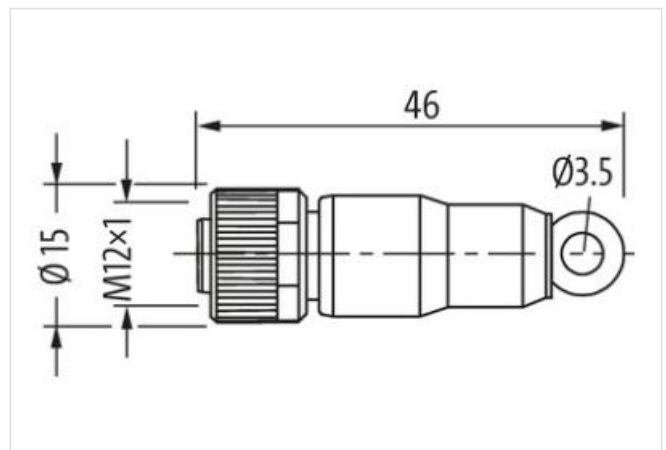
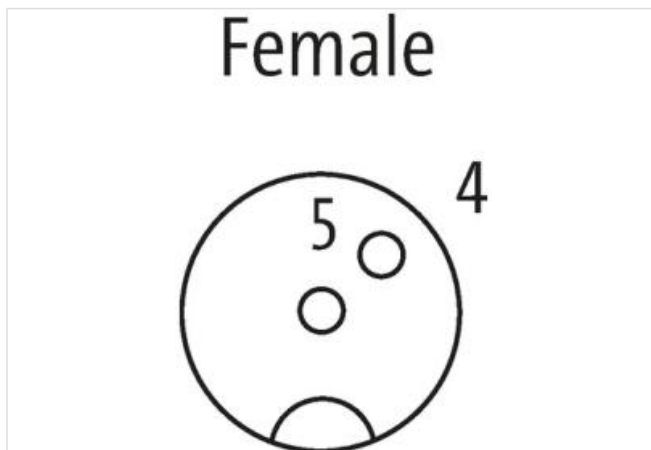
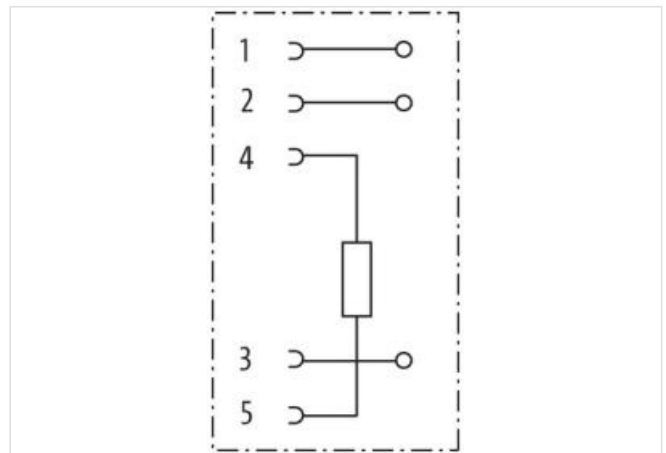
DeviceNet, CANopen

Terminating resistor

Female

M12 – M12, 5-pole (circuit diagram)

A-coded

**[Link to Product](#)****Illustration**

Product may differ from Image

**Technical Data**

Operating voltage	max. 30 V DC
Operating voltage (only UL listed)	max. 30 V DC
Operating current per contact	max. 4 A
Locking of ports	Screw thread (M12×1 mm) recommended torque 0.6 Nm, self-securing
Protection	IP67 inserted and tightened (EN 60529)

The information in this Product-PDF has been compiled with the utmost care.

Liability for the correctness completeness and topicality of the information is restricted to gross negligence. Version: 2023-06-04

Murrelektronik Inc. | 1327 Northbrook Parkway, Suite 460 | Suwanee, GA 30024 | Fon +1 770 497-9292 | Fax +1 770 497-9391 | shop@murrinc.com | shop.murrinc.com

Locking material                      Zinc die casting, matte nickel plated

**General data**

Temperature range                  -25...+85 °C