

**Bus terminating plug M12 male A-cod.**

CUBE67

Cube67

Terminating resistor

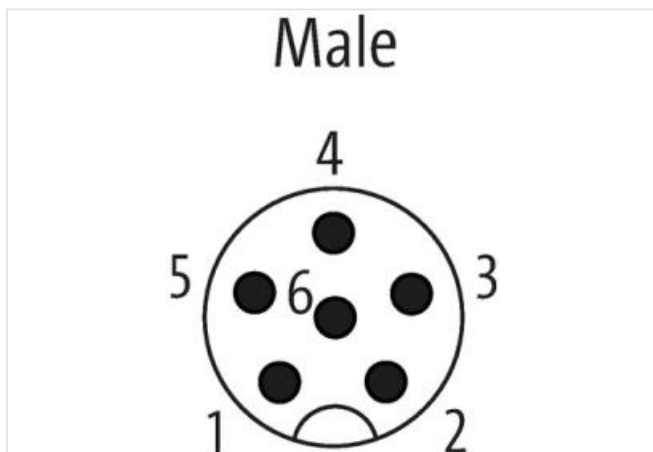
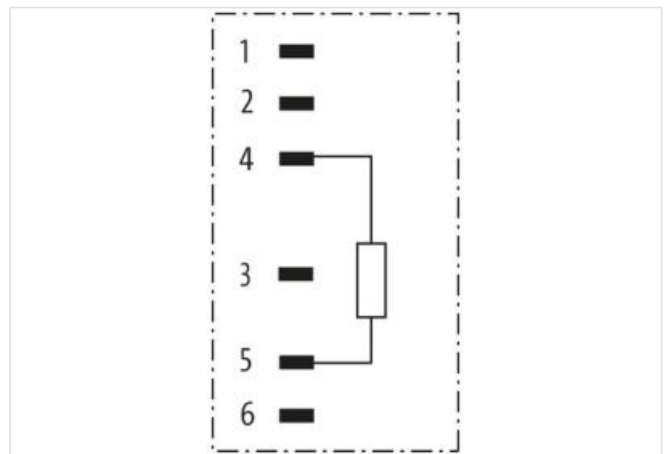
Male

M12, 6-pole

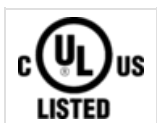
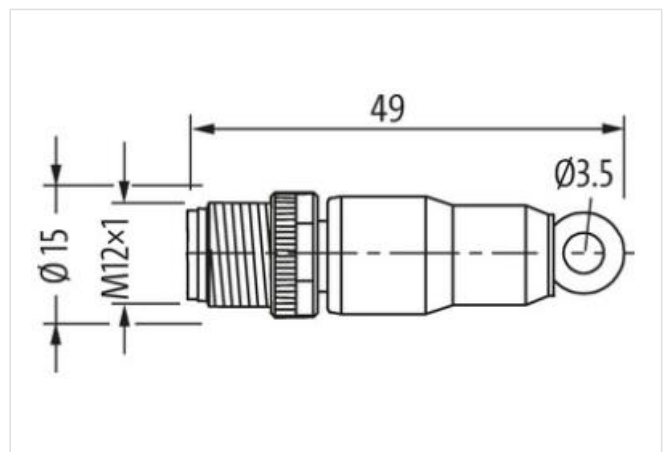
A-coded

Plastic housings with good resistance against chemicals and oils.

The resistance to aggressive media should be individually tested for your application. Further details on request.

[Link to Product](#)**Illustration**

Product may differ from Image

**Form**

Form

15041

**Technical Data**

Operating voltage

max. 30 V DC

Operating voltage (only UL listed)	max. 30 V DC
Operating current per contact	max. 4 A
Locking of ports	Screw thread (M12×1 mm) recommended torque 0.6 Nm, self-securing
Protection	IP67 inserted and tightened (EN 60529)

**General data**

Temperature range	-25...+85 °C
Article No.	7000-15041-0000000