

**M12 male 90° / M12 female 90° A-cod. shielded**

PUR 4x0.5+2x0.25 shielded gn UL/CSA+drag ch. 1.5m

Cube67

Male 90° – female 90°

M12 – M12, 6-pole

A-coded

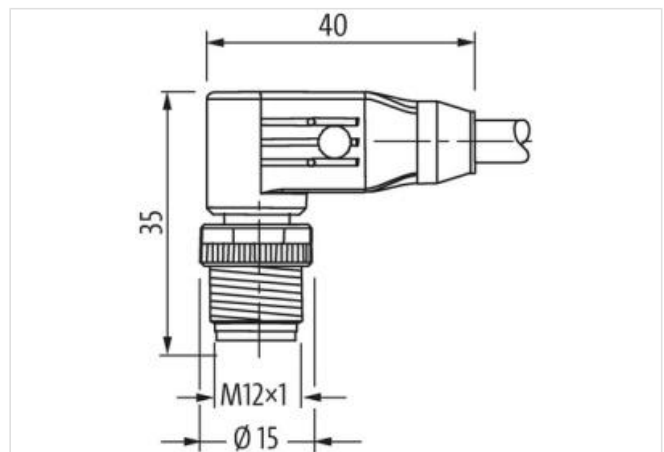
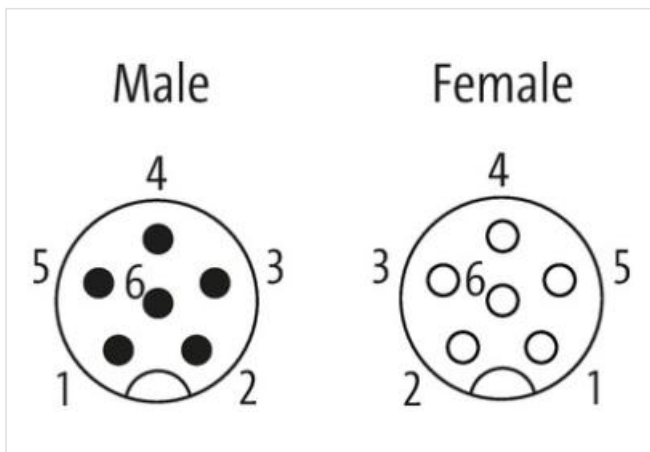
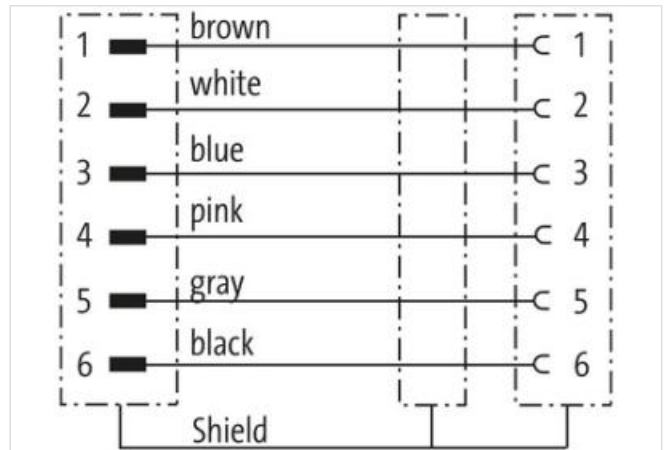
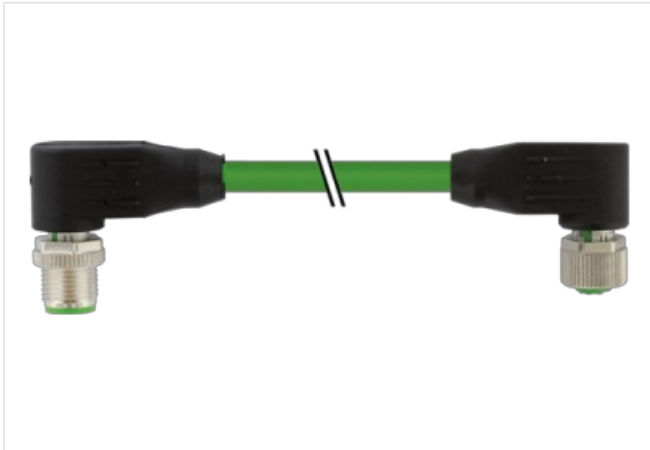
shielded

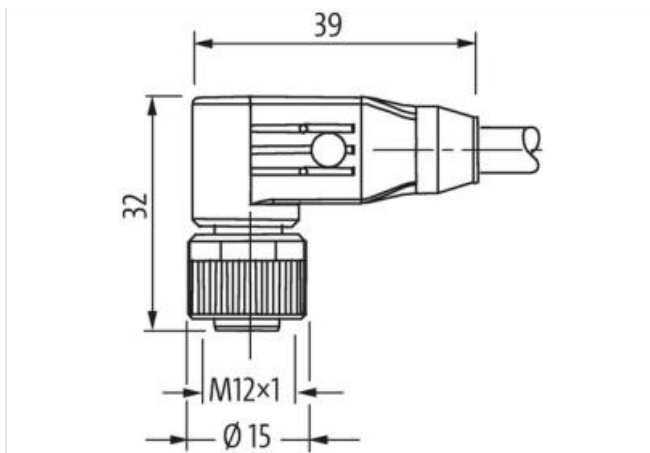
Hybrid cable

Plastic housings with good resistance against chemicals and oils.

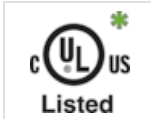
The resistance to aggressive media should be individually tested for your application. Further details on request.

Further cable lengths on request.

[Link to Product](#)**Illustration**



Product may differ from Image



\* only for products with UL/CSA approved cable

**Form**

Form 46061

**Technical Data**

|   |  |
|---|--|
| Operating voltage                         | max. 30 V AC/DC  |
| Operating voltage (only UL listed)        | 30 V AC/DC   |
| Rated surge voltage                       | 0.8 kV   |
| Operating current per contact             | max. 4 A   |
| No. of poles                              | 6  |
| Material group                            | IEC 60664-1, category I  |
| Coding                                    | A-coded  |
| LED display                               | no   |
| Locking of ports                          | Screw thread (M12×1 mm) recommended torque 0.6 Nm, self-securing |
| Protection                                | IP65 and IP67 when plugged and screwed down (EN 60529)           |
| Locking material                          | Zinc die casting, matte nickel plated                            |
| suitable for corrugated tube (internal Ø) | without  |
| Compression gland                         | M12 (SW13)   |

**General data**

|                            |  |
|----------------------------|--|
| Mounting method            | inserted, tightened                      |
| Material (contact)         | Copper alloy                             |
| Material (contact surface) | Au                                       |
| Material (gasket)          | FKM                                      |
| Pollution Degree           | 3  |
| Temperature range          | -25...+85 °C, depending on cable quality |

**Cables**

|                           |   |
|---------------------------|---|
| Cable identification      | 802   |
| Approval (cable)          | cURus (AWM-Style 20549/10493); CE conform   |
| Cable weight [g/m]        | 95,7 g  |
| Material (wire)           | Cu wire, bare   |
| Single wire Ø (core)      | 0.15 mm (0.5 mm <sup>2</sup> ); 0.1 mm (0.25 mm <sup>2</sup> )                                      |
| Construction (core)       | 28× 0.15 mm (0.5 mm <sup>2</sup> ); 32× 0.1 mm (0.25 mm <sup>2</sup> ); (multi-strand wire class 6) |
| Diameter (core)           | 4× 0.5 + 2× 0.25 mm <sup>2</sup>  |
| AWG                       | similar to AWG 20 (0.5 mm <sup>2</sup> ); similar to AWG 24 (0.25 mm <sup>2</sup> )                 |
| Material (wire isolation) | TPE-E   |

The information in this brochure has been compiled with the utmost care.

Liability for the correctness completeness and topicality of the information is restricted to gross negligence. Version: 2022-12-04

Murrelektronik Inc. | 1327 Northbrook Parkway, Suite 460 | Suwanee, GA 30024 | Fon +1 770 497-9292 | Fax +1 770 497-9391 | shop@murrinc.com | shop.murrinc.com

|  |  |
|--|--|
| Shore hardness (wire isolation)        | 55 ±5 D  |
| Wire-Ø incl. isolation                 | 1.5 mm ±5% (0.5 mm <sup>2</sup> ); 1.4 mm ±5% (0.25 mm <sup>2</sup> )                                    |
| Color/numbering of wires               | (bl, wh, br, bk) + (gr, pk)  |
| Shield                                 | yes  |
| Shield (Type)                          | Copper braid   |
| optical shield cover                   | min. 80%   |
| Material (jacket)                      | PUR  |
| Material property (jacket)             | CFC-, halogen-, cadmium-, silicone-free, matt, low-adhesion, machine easy to process, abrasion-resistant |
| Shore hardness (jacket)                | 89 ±5 A  |
| Outer-Ø (jacket)                       | 7.9 mm ±5%   |
| Color (jacket)                         | green  |
| Nominal voltage                        | 300 V AC   |
| Test voltage                           | 1500 V (wire/wire); 1200 V (wire/shield)   |
| Temperature range (fixed)              | -50...+80 °C   |
| Temperature range (mobile)             | -40...+80 °C   |
| Bend radius (fixed)                    | 5× outer Ø   |
| Bend radius (moving)                   | 10× outer Ø  |
| No. of bending cycles (C-track)        | max. 5 Mio. (25 °C)  |
| Travel speed (C-track)                 | max. 2 m/s   |
| Torsion stress                         | ±180°/m  |
| <hr/>                                  |  |
| Product article number of manufacturer | 7000-46061-8020150   |
| Cable length                           | 1,5 m  |