

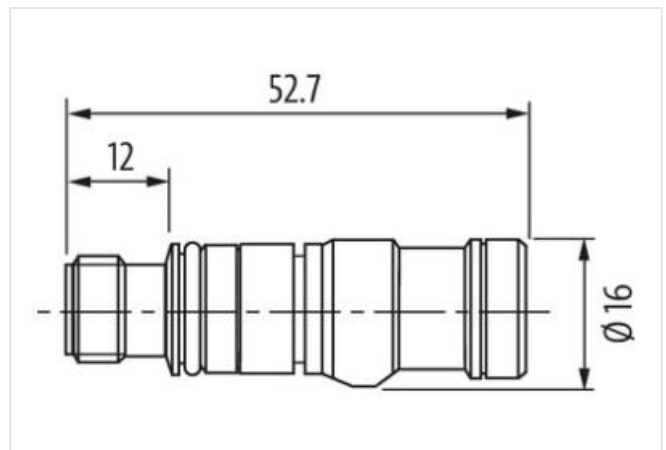
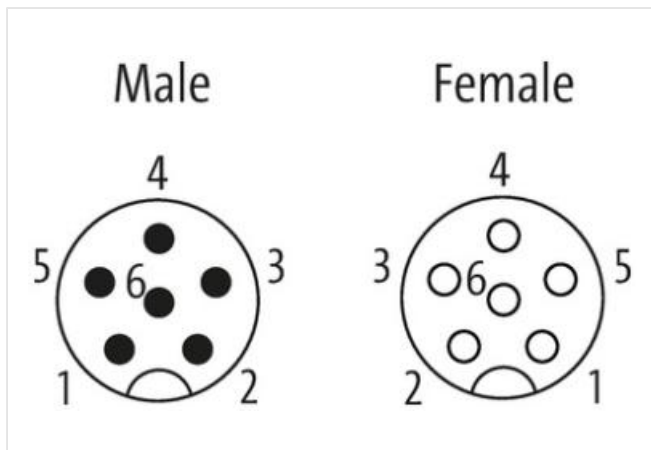
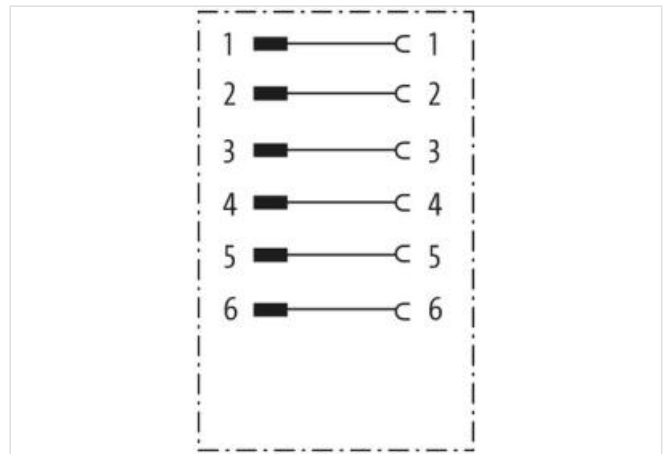
**MODL.VARIO insert for fixed housing type B**

6-pole M12, male, shielded

Insert - stationary housing  
 Male straight – female straight  
 M12, 6-pole  
 A-coded

Good chemical and oil resistance (oil resistance does not apply to use with PVC cable)

The resistance to aggressive media should be individually tested for your application. Further details on request.

**[Link to Product](#)****Illustration**

Product may differ from Image

**Form**

Form 46114

**Technical Data**

Operating voltage	max. 30 V AC/DC
Rated surge voltage	0.8 kV
Operating current per contact	max. 4 A
No. of poles	6
Material group	IEC 60664-1, category I
Coding	A-coded

LED display	no
Locking of ports	Screw thread (M12×1 mm) recommended torque 0.6 Nm, self-securing
Compression gland	M12
Protection	IP65 and IP67 when plugged and screwed down (EN 60529)
Material	Brass, nickel plated
suitable for corrugated tube (internal Ø)	without

**General data**

Material (gasket)	FKM
Pollution Degree	3
Temperature range	-25...+85 °C

**Commercial data**

country of origin	DE
customs tariff number	85366990
EAN	4048879576512
eClass	27260702
Packaging unit	1.000