

M12 fem. recept. X-cod. / RJ45 male 0° shielded

PUR 4x2xAWG26 shielded gn UL/CSA 1.5m

Art.No.: 7000-51551-7900150

Weight: 0.098 kg

Country of origin: DE

Model designation: MSXBFH-RA-08D790_1.5-ZS

Advantages of our connectors:

Our connectors are versatile and specially optimised for industrial environments. All connectors are 100% tested during the manufacturing process to ensure the highest quality and reliability.

The contacts are gold-plated, which ensures optimum conductivity. Thanks to the high degree of protection, the connectors are ideal for demanding industrial environments. They are also vibration-resistant - this is ensured by the union nut with vibration protection.

Our connectors are resistant to oils and cooling lubricants, but resistance to aggressive media should be tested for each specific application. Different cable lengths available [on request](#)

If you are missing technical information? Please feel free to use our [dictionary](#) to find more technical details.

Product details:

Product fulfills requirements according to UN/ECE R118

Ethernet CAT6A

Flange female straight – male straight

RJ45 – M12, 8-pole

X-coded

Shielded

Rear mounting

Transmission properties with channel transmission up to 50 m

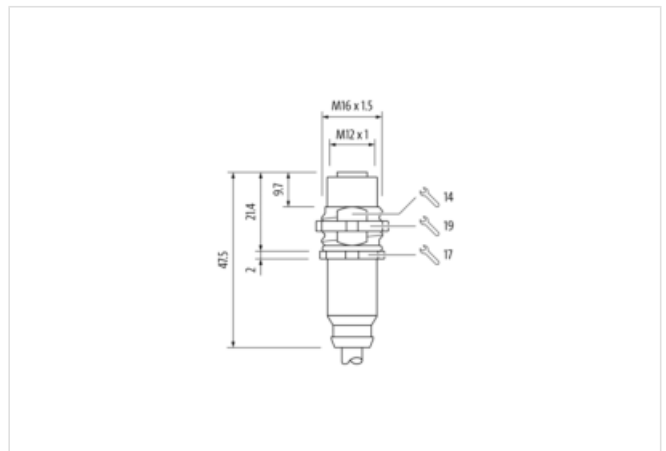
Further cable lengths on request.

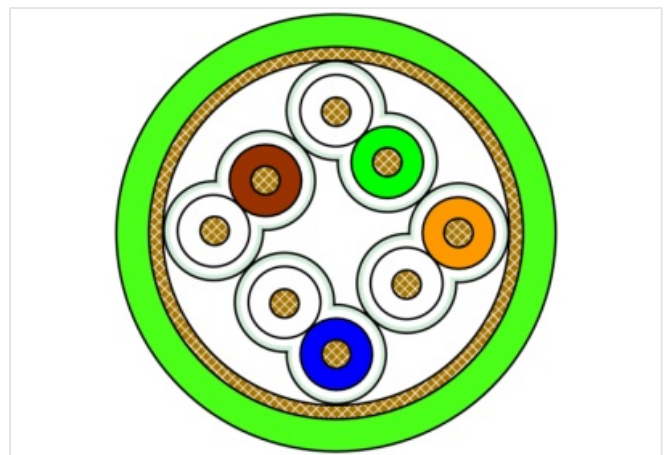
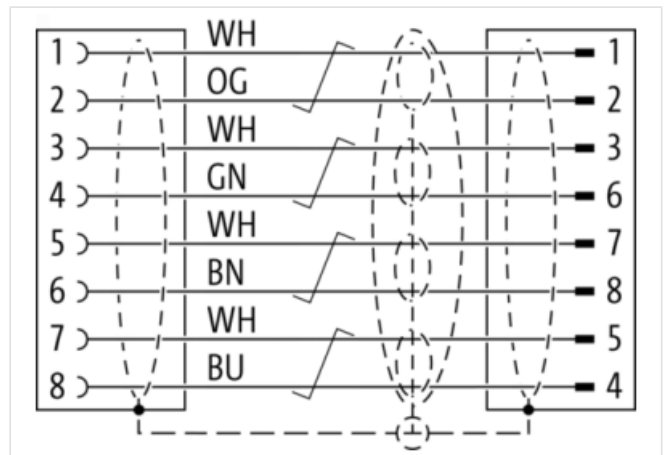
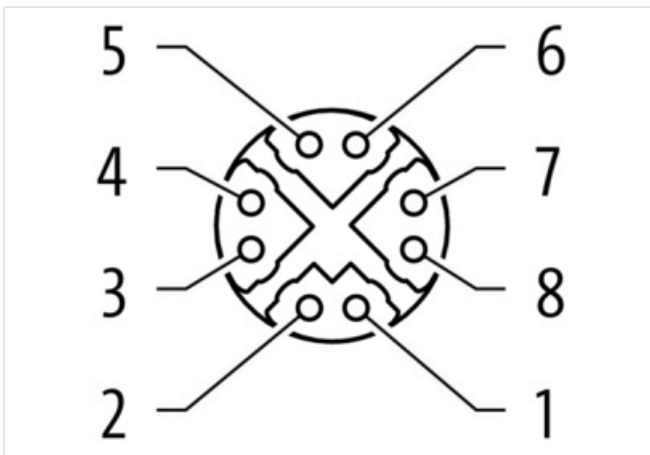
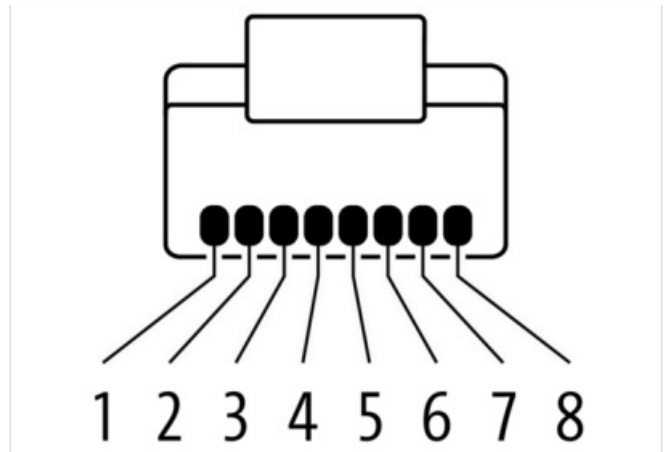
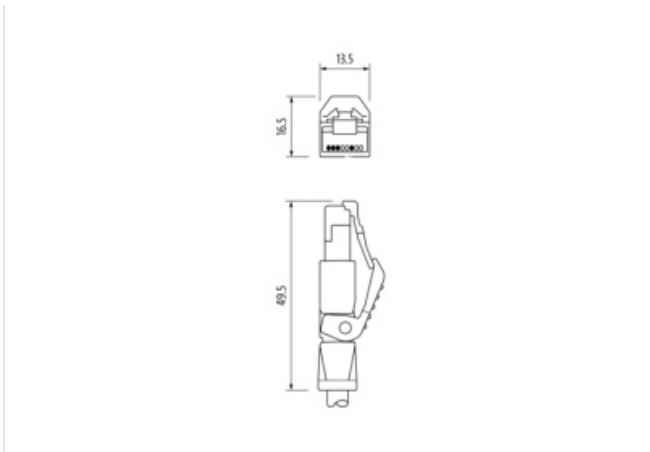
Plastic housings with good resistance against chemicals and oils.

The resistance to aggressive media should be individually tested for your application. Further details on request.

Link to Product

Illustration





Product may differ from Image



Cable length 1,50 m

Side 1

Family construction form M12

| | |
|-------------------------------------|-------------------|
| No. of poles | 8 |
| Coding | X |
| Gender | female |
| Mounting method | inserted, screwed |
| Cable outlet | straight |
| Material | PUR |
| Degree of protection (EN IEC 60529) | IP67 |

Side 2

| | |
|-------------------------------------|----------|
| Family construction form | RJ45 |
| No. of poles | 8 |
| Gender | male |
| Mounting method | inserted |
| Cable outlet | straight |
| Material | Brass |
| Degree of protection (EN IEC 60529) | IP20 |

Commercial data

| | |
|-----------------------|---|
| URL Webshop | https://shop.murrelektronik.com/7000-51551-7900150 |
| GTIN | 4048879648493 |
| Customs tariff number | 85444290 |
| ECLASS-6.0 | 27279220 |
| ECLASS-6.1 | 27279220 |
| ECLASS-7.0 | 27440103 |
| ECLASS-7.1 | 27440103 |
| ECLASS-8.0 | 27440103 |
| ECLASS-8.1 | 27440103 |
| ECLASS-9.0 | 27440103 |
| ECLASS-9.1 | 27440109 |
| ECLASS-10.0.1 | 27440109 |
| ECLASS-10.1 | 27440103 |
| ECLASS-11.0 | 27440109 |
| ECLASS-11.1 | 27440103 |
| ECLASS-12.0 | 27440103 |
| ECLASS-13.0 | 27440109 |
| ECLASS-14.0 | 27440109 |
| ETIM-5.0 | EC002599 |
| ETIM-6.0 | EC002599 |
| ETIM-7.0 | EC002599 |
| ETIM-8.0 | EC002599 |
| customs tariff number | 85444290 |
| EAN | 4048879648493 |
| Packaging unit | 1 |

Electrical data | Supply

| | |
|------------------------------------|-------|
| Operating voltage DC max. | 60 V |
| Current operating per contact max. | 0,5 A |

Industrial Communication

| | |
|-----------------------------|---|
| Data transmission rate max. | 10 Gbit/s |
| Transfer parameters | CAT6, Class EA (ISO/IEC 11801:2002), (EN 50173-1) |

Diagnostics

| | |
|-----------------------|----|
| Status indication LED | No |
|-----------------------|----|

Device protection | Electrical

| | |
|-----------------|----------|
| Protection NEMA | 6P, 4, 3 |
|-----------------|----------|

| | |
|---|---|
| Pollution Degree | 3 |
| Rated surge voltage | 0,8 kV |
| Material group (IEC 60664-1) | I |
| Mechanical data | |
| Contour for corrugated hose | without |
| Mechanical data Material data | |
| Locking material | Brass |
| Coating locking | nickel plated |
| Mechanical data Mounting data | |
| Mounting method | inserted, screwed, Shaking protection |
| Environmental characteristics Climatic | |
| Operating temperature min. | -30 °C |
| Operating temperature max. | 85 °C |
| Additional condition temperature range | depending on cable quality |
| Important installation notes | |
| Note on bending radius | Attention: Observe the permissible bending radii when laying cables, as the IP protection class can be endangered by excessive bending forces. |
| Note on strain relief | Protect the connectors by suitable measures from mechanical loads, e.g. by the usage of cable ties. |
| Conformity | |
| Product standard | EN/IEC 61076-2-109 (M12) |
| Approvals | |
| UL 50E | Yes |
| Installation Cable | |
| Stranding | 4 × 2 wires stranded |
| Stranding (type 2) | 1 × 4 stranding combinations stranded |
| Cable shielding (type) | copper braid, tinned |
| Cable shielding (coverage) | 65 % |
| Pair shielding (type) | Metal foil |
| Banding | Foil |
| Wire arrangement | (WH, BN), (WH, GN), (WH, OG), (WH, BU) |
| Shield | shielded |
| Material wire insulation | PE |
| Amount wires | 8 |
| Outer diameter insulation | 1.05 mm - 0.02 mm |
| Conductor crosssection (wire) | 26 AWG |
| Material conductor wire | Stranded copper wire, bare |
| Core construction (wire) | 7 |
| Ingredient freeness wire insulation | lead-free, CFC-free, halogen-free |
| Material jacket | PUR |
| Outer-diameter (jacket) | 6.4 mm ± 5 % |
| Jacket Color | green / RAL 6018 |
| Freedom from ingredients (jacket) | lead-free, CFC-free, halogen-free |
| Cable shielding (type) | copper braid, tinned |
| Cable shielding (coverage) | 65 % |
| Pair shielding (type) | Metal foil |
| Conductor resistance (wire) | 140 Ω/km @ 20 °C |
| Nominal voltage max. | 125 V |
| Withstand voltage (wire - wire) | 2 kV @ 60 s |
| Withstand voltage (wire - jacket) | 2 kV @ 60 s |
| Withstand voltage (wire - shield) | 2 kV @ 60 s |
| Current load capacity max. (wire) | 2 A |

| | |
|---|--|
| Current load capacity (standard) | to DIN VDE 0298-4 |
| Electrical capacity line constant (wire - wire) | 44.000 pF/km |
| Isolation resistance | 5.000 M Ω \times km |
| Characteristic impedance | 100 Ω \pm 15 % @ 15 MHz |
| Cable type | Industrial Ethernet Profinet Typ B, CAT6A |
| Operating temperature (static) | -40 °C ... 80 °C |
| Operating temperature (dynamic) | -30 °C ... 70 °C |
| Flame resistance | UL 1581 § 1090, UL 1581 § 1100, IEC 60332-1-2 |
| Oil resistance | IEC 60811-404, IRM 902 |
| Ozone resistance | EN 50396 |
| Other resistances | resistant to microbes, MUD-resistant (NEK 606) |
| Notes | application-related testing |
| Bending radius (fixed) | 8 \times Outer diameter |
| Bending radius (dynamic) | 10 \times Outer diameter |