

**B24 female 24-pole, screw t., 500 V, 16 A**

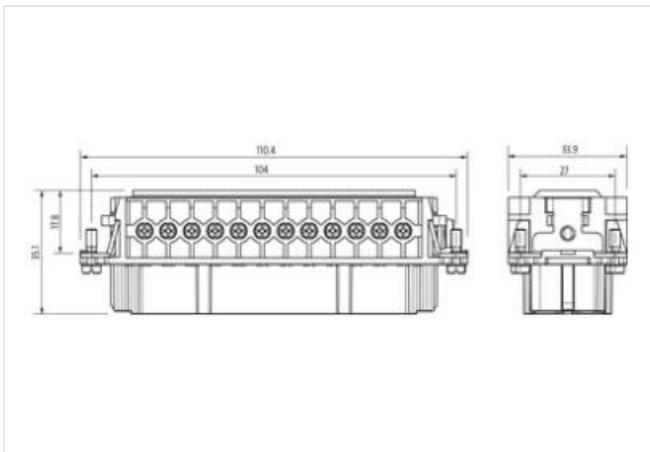
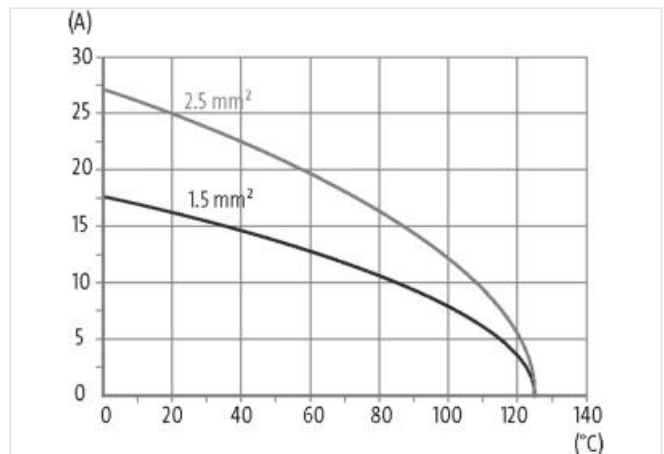
B24

Female

24-pole

Screw terminal

Technical data will be only guaranteed with Murrelektronik components.

[Link to Product](#)**Illustration**

Product may differ from Image

**Technical Data**

Operating voltage	500 V AC/DC
Rated surge voltage	6.0 kV
Operating current	16 A
No. of poles	24 + PE
Material group	IIIb
Mating cycles	min. 500
Connection	Screw terminal

Connection cross section	0.5...2.5 mm <sup>2</sup> (AWG 20...14)
Holding force	> 150 N
Tightening torque (clamp screw)	min. 0.5 Nm
Insertion and withdrawal force	< 200 N
Stripping length	7.5 mm
Isolation resistance	≥ 10 <sup>8</sup> Ω
Contact resistance	≤ 5 mΩ
Over voltage category	III
Wire-Ø incl. isolation	max. 3.6 mm

#### General data

Material contact	Brass
Material contact surface	Ag
Pollution Degree	3
Temperature range	-40...+125 °C
Material contact carrier	PA GF
Flammability class	V-0 (acc. to UL 94)
Size	B24
Type	Female
Climatic category	40/125/10
Dimensions HxWxD	35.1×33.9×110.4 mm

#### Cable

Current load capacity	see derating curve
-----------------------	--------------------