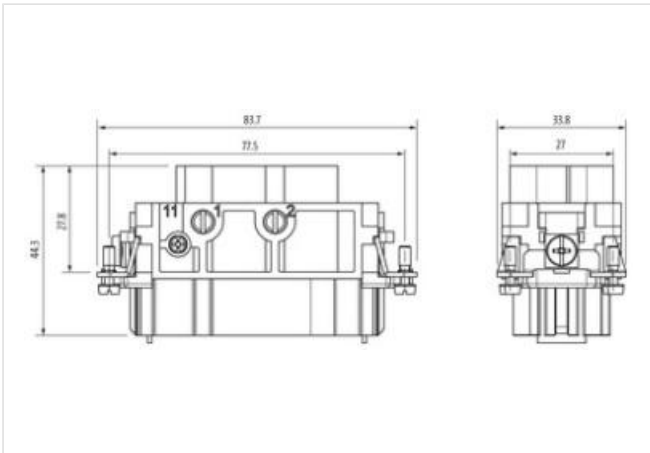
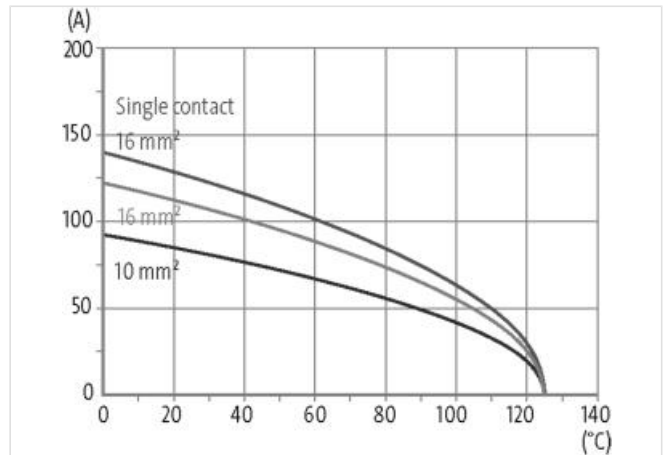
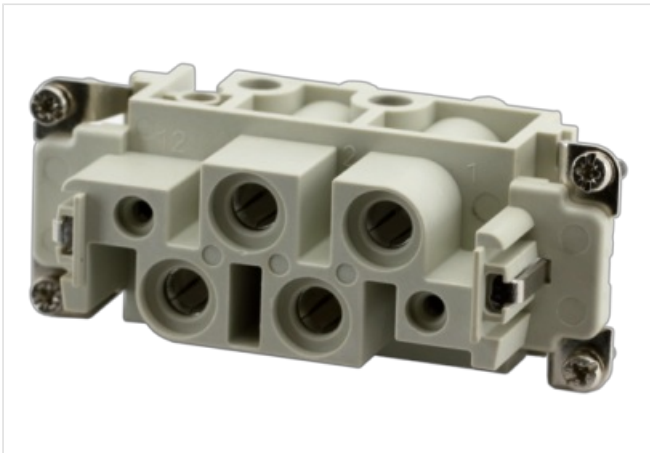


**B16 female 4+2-pole, screw t., 830/400 V, 80/16 A**

B16  
 Female  
 4+2-pole  
 Screw terminal  
 Technical data will be only guaranteed with Murrelektronik components.

[Link to Product](#)

**Illustration**



Product may differ from Image



**classifications**

ECLASS-6.0	27143424
ECLASS-7.0	27440209
ECLASS-8.0	27440209
ECLASS-9.0	27440209
ECLASS-10.1	27440205
ECLASS-11.1	27440205

ECLASS-12.0	27440205
ETIM-5.0	EC000438

#### Technical Data

Operating voltage	830 V AC/DC (Power); 400 V AC/DC (Signal)
Rated surge voltage	8.0 kV
Operating current	80 A (Power); 16 A (Signal)
No. of poles	4 + 2 + PE
Material group	IIIa
Mating cycles	min. 500
Connection	Screw terminal
Connection cross section	1.5...16 mm <sup>2</sup> (AWG 16...5)
Holding force	> 500 N (Power); > 400 N (Signal)
Tightening torque (clamp screw)	min. 2.5 Nm (Power); min. 0.5 Nm (Signal)
Insertion and withdrawal force	< 100 N
Stripping length	14 mm (Power); 6 mm (Signal)
Isolation resistance	≥ 10 <sup>8</sup> Ω
Contact resistance	≤ 5 mΩ
Over voltage category	III
Wire-Ø incl. isolation	max. 11 mm (Power); max. 4.8 mm (Signal)

#### Cable

Current load capacity	see derating curve
-----------------------	--------------------

#### General data

Material contact	Brass
Material contact surface	Ag
Pollution Degree	3
Temperature range	-40...+125 °C
Material contact carrier	PC GF
Flammability class	V-0 (acc. to UL 94)
Size	B16
Type	Female
Climatic category	40/125/21
Dimensions H×W×D	42×33.8×83.7 mm

#### Commercial data

customs tariff number	85389099
GTIN	4048879637404
Packaging unit	1