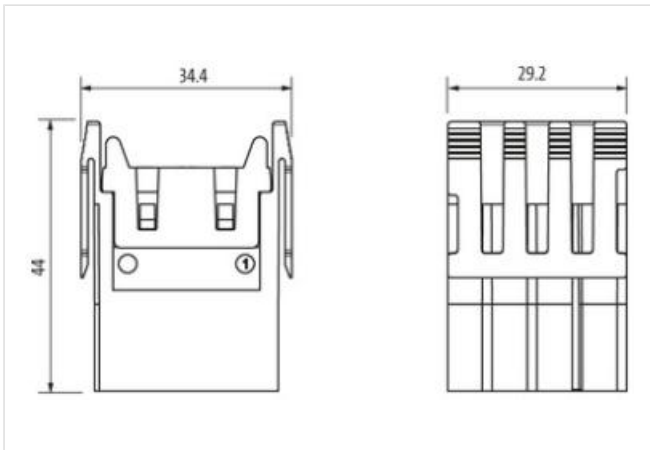
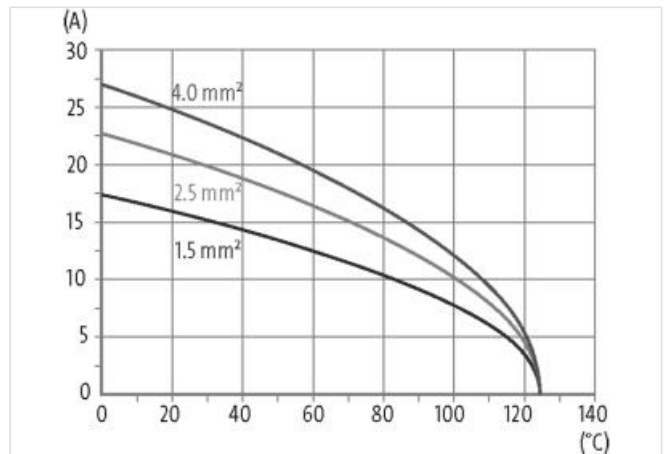


Male module, 20-pole, crimp t.

500 V, 16 A

Male
20-pole
Crimp

Technical data will be only guaranteed with Murrelektronik components.

[Link to Product](#)**Illustration**

Product may differ from Image

Technical Data

Operating voltage	500 V AC/DC
Rated surge voltage	6.0 kV
Operating current	16 A
No. of poles	20
Material group	I
Mating cycles	min. 500
Connection	Crimp
Connection cross section	0.5...4 mm ² (AWG 20...11)
Holding force (contacts)	≥ 130 N
Insertion and withdrawal force	< 500 N

Isolation resistance	$\geq 10^8 \Omega$
Contact resistance	$\leq 5 \text{ m}\Omega$
Over voltage category	III
Wire- \varnothing incl. isolation	max. 4.6 mm
Holding force (modules)	$\geq 550 \text{ N}$

General data

Material (contact)	Brass
Material (contact surface)	Ag Au
Pollution Degree	3
Temperature range	-40...+125 °C
No. of module positions	2
Flammability class	V-0 (acc. to UL 94)
Type	Male
Climatic category	40/125/10
Material (module)	PA GF
Dimensions H×W×D	44×29.2×34.4 mm

Cables

Current load capacity	see derating curve
Article No.	70MH-MAB1C-0200502