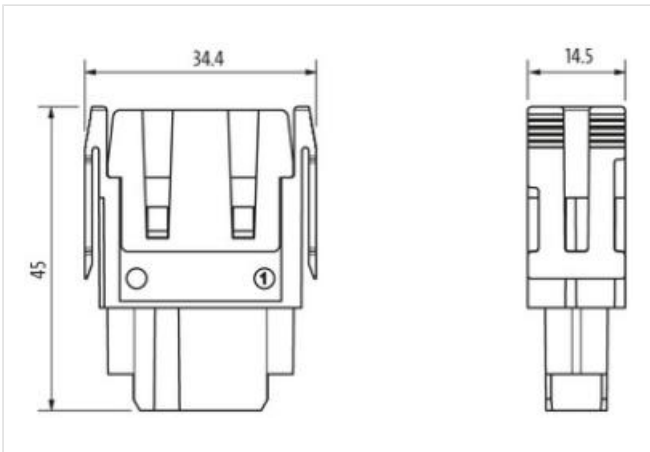
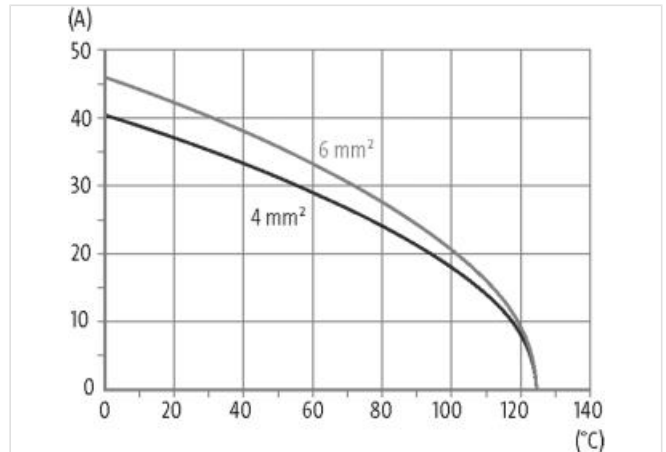


Female module, 3-pole, crimp t.

400 V (Pin-PE) / 690 V (Pin-Pin), 40 A

Female
3-pole
Crimp

Technical data will be only guaranteed with Murrelektronik components.

[Link to Product](#)**Illustration**

Product may differ from Image

**Technical Data**

Operating voltage	690 V AC/DC (PIN - PIN); 400 V AC/DC (PIN - PE)
Rated surge voltage	8.0 kV
Operating current	40 A
No. of poles	3
Material group	I
Mating cycles	min. 500

The information in this brochure has been compiled with the utmost care.

Liability for the correctness completeness and topicality of the information is restricted to gross negligence. Version: 2023-03-24

Murrelektronik Inc. | 1327 Northbrook Parkway, Suite 460 | Suwanee, GA 30024 | Fon +1 770 497-9292 | Fax +1 770 497-9391 | shop@murrinc.com | shop.murrinc.com

Connection	Crimp
Connection cross section	1.5...10 mm ² (AWG 16...8)
Holding force (contacts)	≥ 300 N
Insertion and withdrawal force	< 150 N
Isolation resistance	≥ 10 ⁸ Ω
Contact resistance	≤ 5 mΩ
Over voltage category	III
Wire-Ø incl. isolation	max. 6.4 mm
Holding force (modules)	≥ 200 N

General data

Material contact	Brass
Material contact surface	Ag
Pollution Degree	3
Temperature range	-40...+125 °C
No. of module positions	1
Flammability class	V-0 (acc. to UL 94)
Type	Female
Climatic category	40/125/10
Material module	PA GF
Dimensions HxWxD	45x14.5x34.4 mm

Cables

Current load capacity	see derating curve
Product article number of manufacturer	70MH-MAC1C-0030903