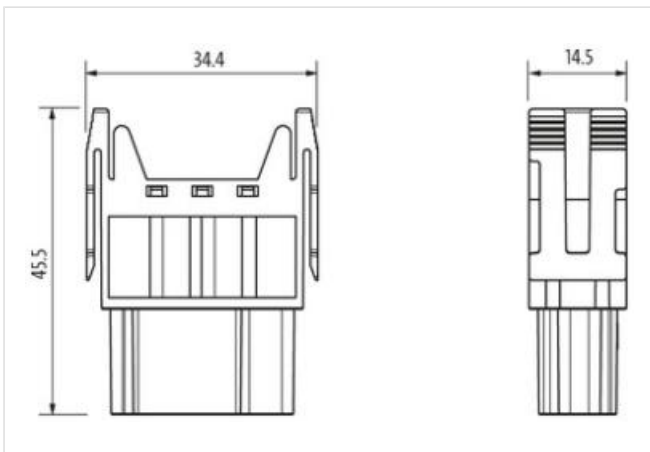
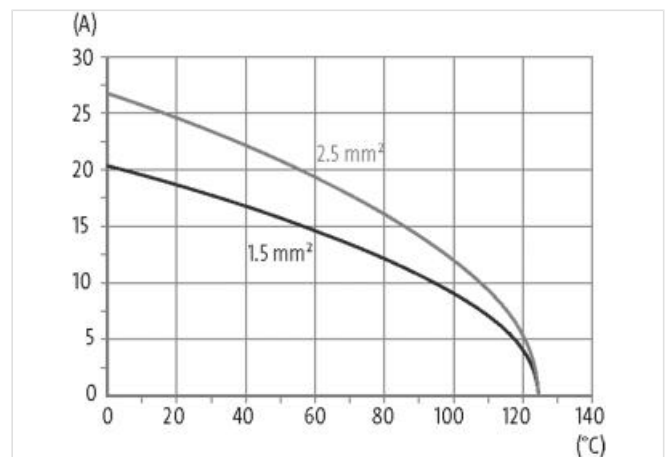


Female module, 6-pole, crimp t.

500 V, 16 A

Female
6-pole
Crimp

Technical data will be only guaranteed with Murrelektronik components.

[Link to Product](#)**Illustration**

Product may differ from Image

**Technical Data**

Operating voltage	500 V AC/DC
Rated surge voltage	6.0 kV
Operating current	16 A
No. of poles	6
Material group	I

Mating cycles	min. 500
Connection	Crimp
Connection cross section	0.5...4 mm ² (AWG 20...11)
Holding force (contacts)	≥ 130 N
Insertion and withdrawal force	< 170 N
Isolation resistance	≥ 10 ⁸ Ω
Contact resistance	≤ 5 mΩ
Over voltage category	III
Wire-Ø incl. isolation	max. 4.6 mm
Holding force (modules)	≥ 220 N

General data

Material contact	Brass
Material contact surface	Ag Au
Pollution Degree	3
Temperature range	-40...+125 °C
No. of module positions	1
Flammability class	V-0 (acc. to UL 94)
Type	Female
Climatic category	40/125/10
Material module	PA GF
Dimensions H×W×D	45.5×14.5×34.4 mm

Cables

Current load capacity	see derating curve
Product article number of manufacturer	70MH-MAC1C-0060502