

Female module, 2-pole, axial screw t.

1000 V, 100 A

Female

2-pole

Axial screw connection

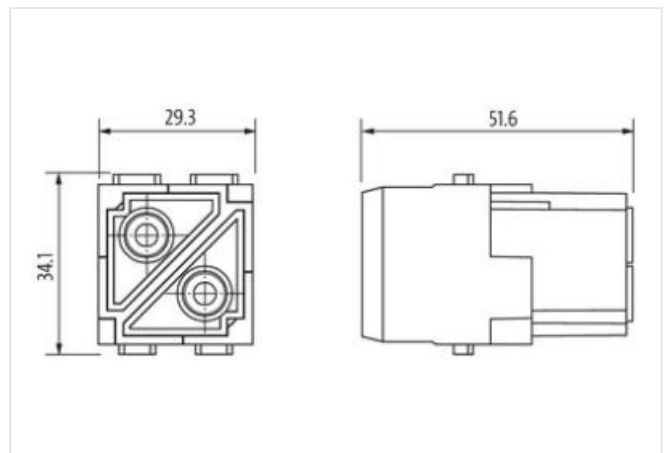
Technical data will be only guaranteed with Murrelektronik components.

Axial screw connection only for flexible wires

The clip 70MH-ZZ100-0000000 is needed (4×)

[Link to Product](#)**Illustration**

Product may differ from Image

**Technical Data**

Operating voltage	1000 V AC/DC
Rated surge voltage	8.0 kV
Operating current	100 A
No. of poles	2
Mating cycles	min. 500
Connection	Axial screw connection, hexagonal socket (SW4)
Connection cross section	10...35 mm ² (AWG 8...2)
Stripping length	13 mm
Tightening torque	6 Nm (10...16 mm ²); 7 Nm (25 mm ²); 8 Nm (35 mm ²)
Over voltage category	III
Wire-Ø incl. isolation	max. 11.4 mm

General data

Material contact	Brass
Material contact surface	Ag
Pollution Degree	3
Temperature range	-40...+125 °C
No. of module positions	2
Flammability class	V-0 (acc. to UL 94)
Type	Female

The information in this brochure has been compiled with the utmost care.

Liability for the correctness completeness and topicality of the information is restricted to gross negligence. Version: 2023-03-24

Murrelektronik Inc. | 1327 Northbrook Parkway, Suite 460 | Suwanee, GA 30024 | Fon +1 770 497-9292 | Fax +1 770 497-9391 | shop@murrinc.com | shop.murrinc.com

Material module	PC
Dimensions H×W×D	49×34.1×29.3 mm
Product article number of manufacturer	70MH-MAC2A-0020704