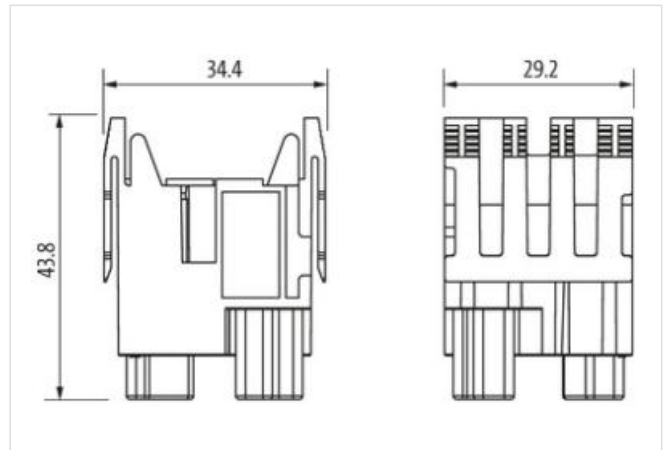


Shielded female module, 2-pole

50 V, 10 A

Female
2-pole
Koax

Technical data will be only guaranteed with Murrelektronik components.

Link to Product**Illustration**

Product may differ from Image

Technical Data

No. of poles	2
Material group	I
Mating cycles	min. 500

General data

Pollution Degree	3
Temperature range	-40...+125 °C
No. of module positions	2
Flammability class	V-0 (acc. to UL 94)
Type	Female
Climatic category	40/125/10
Material module	PA GF
Dimensions HxWxD	43.8x29.2x34.4 mm

Cables

Current load capacity	see derating curve
-----------------------	--------------------

Product article number of manufacturer	70MH-MAE2C-0020101
--	--------------------