

M12 fem. recept. X-cod. / RJ45 male 0° shielded

TPE 4x2x26AWG SF/UTP CAT6a bu UL/CSA. CMR 1m

Art.No.: 7700-51551-S4X0100

Weight: 0.088 kg

Country of origin: DE

Model designation: MSXBFH-RA-08D_S4X_1.0-ZS

USA

Ethernet CAT6A

Flange female straight – male straight

RJ45 – M12, 8-pole

X-coded

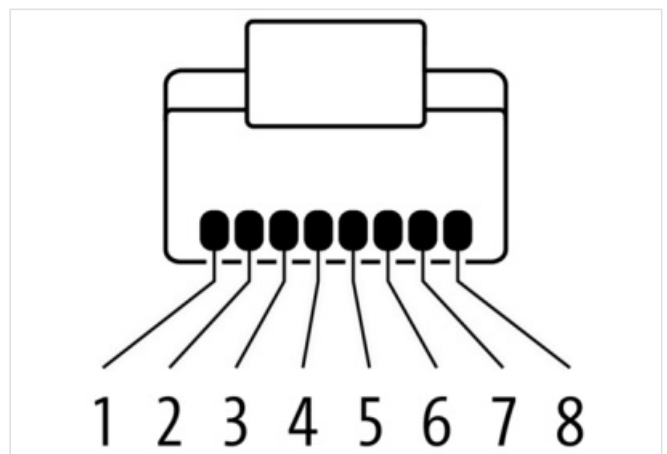
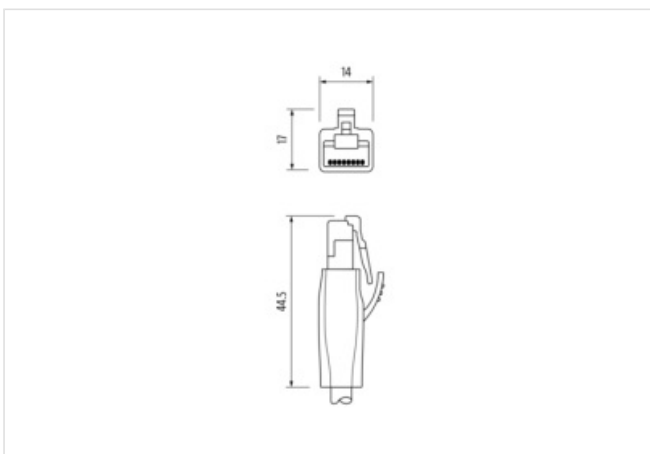
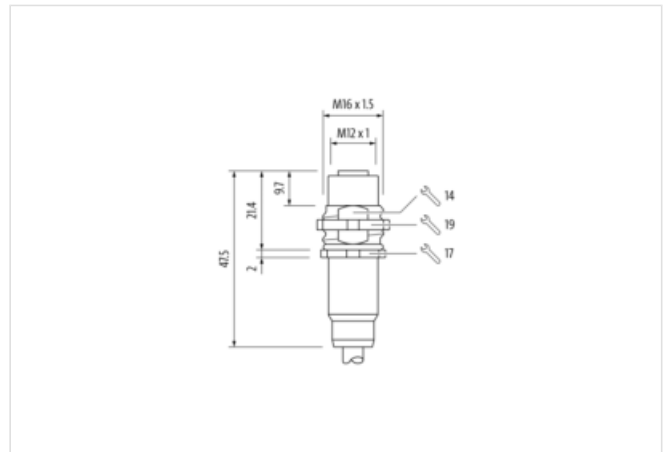
Shielded

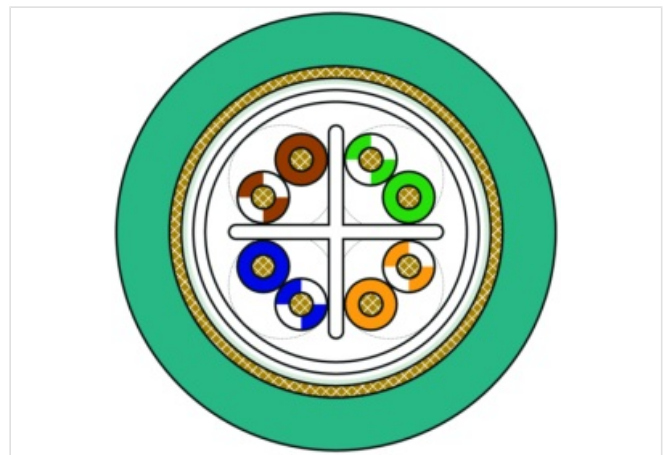
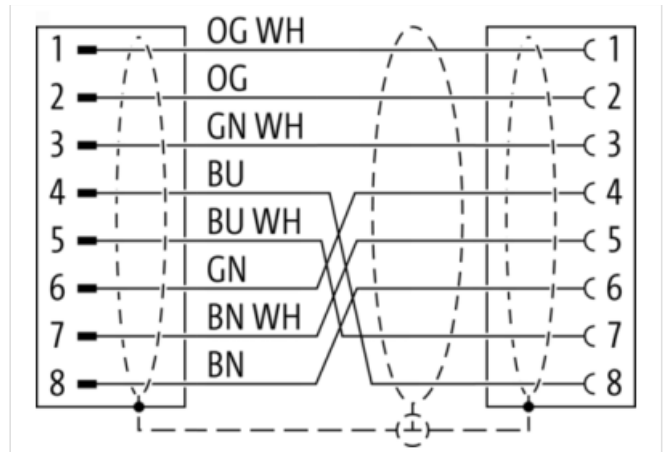
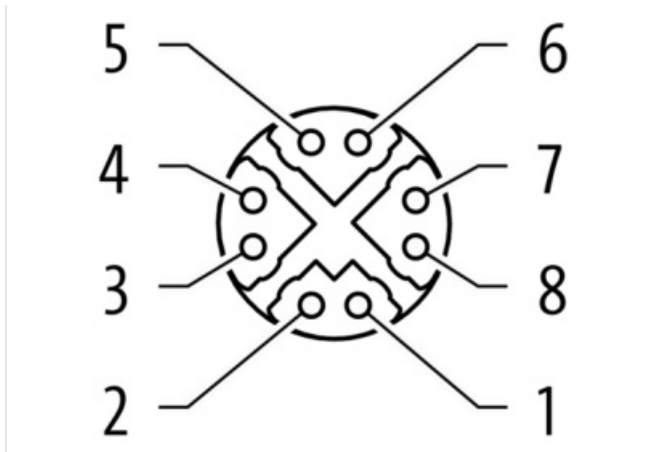
Rear mounting

without cable sleeves

Protection cap

Transmission properties with channel transmission up to 50 m

[Link to Product](#)**Illustration**



Product may differ from Image



Cable length	1,00 m
Side 1	
Family construction form	M12
No. of poles	8
Coding	X
Gender	female
Mounting method	inserted, screwed
Threaded hole	M12 x 1
Tightening torque	0,6 Nm
Width across flats	SW17
Cable outlet	straight
Degree of protection (EN IEC 60529)	IP67
Side 2	
Family construction form	RJ45
No. of poles	8
Coding	X
Gender	male
Mounting method	inserted

The information in this Product-PDF has been compiled with the utmost care. Liability for the correctness completeness and topicality of the information is restricted to gross negligence. Version: 2026-06-13

Cable outlet	straight
Degree of protection (EN IEC 60529)	IP20
Commercial data	
URL Webshop	https://shop.murrelektronik.com/7700-51551-S4X0100
GTIN	4048879699457
Customs tariff number	85444290
ECLASS-6.0	27279221
ECLASS-6.1	27279220
ECLASS-7.0	27440103
ECLASS-7.1	27440103
ECLASS-8.0	27440103
ECLASS-8.1	27440103
ECLASS-9.0	27440103
ECLASS-9.1	27440109
ECLASS-10.0.1	27440109
ECLASS-10.1	27440103
ECLASS-11.0	27440109
ECLASS-11.1	27440103
ECLASS-12.0	27440103
ECLASS-13.0	27440109
ECLASS-14.0	27440109
ETIM-5.0	EC002599
ETIM-6.0	EC002599
ETIM-7.0	EC002599
ETIM-8.0	EC002599
customs tariff number	85444290
EAN	4048879699457
Packaging unit	1
Electrical data Supply	
Operating voltage DC max.	60 V
Operating current max.	0,5 A
Operating voltage DC (UL-listed)	30 V
Industrial Communication	
Data transmission rate max.	10 Gbit/s
Transfer parameters	CAT6, Class EA (ISO/IEC 11801:2002), (EN 50173-1)
Diagnostics	
Status indication LED	No
Installation Connection	
Mounting set	M16 x 1.5
Installation Pin assignment	
Configuration	fully used
Device protection Electrical	
Additional condition protection degree	inserted, screwed
Pollution Degree	3
Rated surge voltage	0,8 kV
Material group (IEC 60664-1)	I
Mechanical data	
Contour for corrugated hose	without
Mechanical data Material data	
Color contact carrier	green
Coating of fitting	nickel plated

Environmental characteristics | Climatic

Operating temperature min.	-30 °C
Operating temperature max.	85 °C
Additional condition temperature range	depending on cable quality

Important installation notes

Note on bending radius	Attention: Observe the permissible bending radii when laying cables, as the IP protection class can be endangered by excessive bending forces.
Note on strain relief	Protect the connectors by suitable measures from mechanical loads, e.g. by the usage of cable ties.

Installation | Cable

Stranding	4 × 2 wires stranded
Stranding (type 2)	1 × 4 stranding combinations stranded around insulation element
Banding	Foil
Filler	Insulation element
Wire arrangement	(OGWH, OG), (BUWH, BU), (BNWH, BN), (GNWH, GN)
Material wire insulation	HDPE
Amount wires	8
Outer diameter insulation	0.9 mm ± 0.05 mm
Conductor crosssection (wire)	26 AWG
Material conductor wire	copper stranded wire, tinned
Core construction (wire)	7
Ingredient freeness wire insulation	lead-free, CFC-free
Material jacket	TPE
Outer-diameter (jacket)	7.4 mm ± 5 %
Jacket Color	blue / RAL 5018
Freedom from ingredients (jacket)	lead-free, CFC-free
Conductor resistance (wire)	212 Ω/km @ 20 °C
Nominal voltage max.	600 V
Withstand voltage (wire - wire)	1.5 kV @ 2 s
Withstand voltage (wire - jacket)	1.5 kV @ 2 s
Current load capacity max. (wire)	2 A
Current load capacity (standard)	to DIN VDE 0298-4
Electrical capacity line constant (wire - wire)	84.850 pF/km
Characteristic impedance	100 Ω
Loop resistance	424 Ω/km
Cable type	Industrial Ethernet Profinet Typ C, CAT6A
Cable length max.	66 m
Operating temperature (static)	-40 °C ... 80 °C
Operating temperature (dynamic)	-40 °C ... 80 °C
Operating temperature (drag chain)	-40 °C ... 80 °C
Bending radius (fixed)	4 × Outer diameter
Bending radius (dynamic)	18 × Outer diameter
No. of bending cycles (C-track)	35 Mio. @ 25 °C
Traversing distance (C-track)	0.6 m @ 25 °C
Travel speed (C-track)	1.2 m/s @ 25 °C
Acceleration (C-track)	2.4 m/s ² @ 25 °C
No. of torsion cycles	3 Mio. @ 25 °C
Torsion stress	± 270 °/m
Torsion speed	60 cycles/min @ 25 °C