

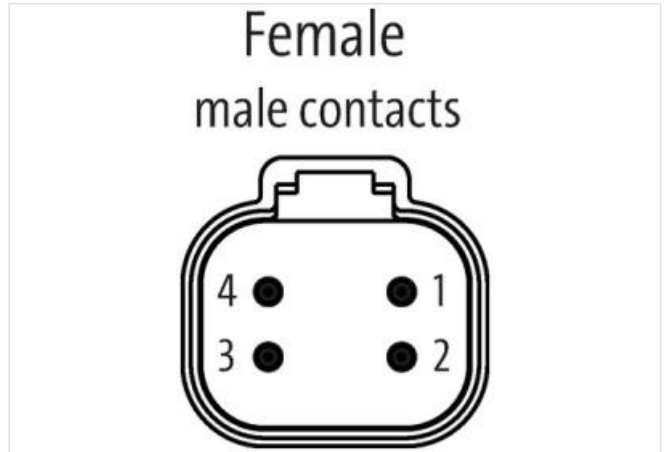
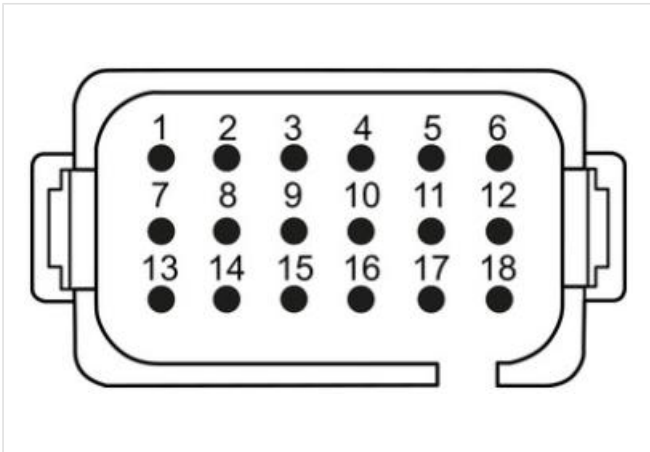
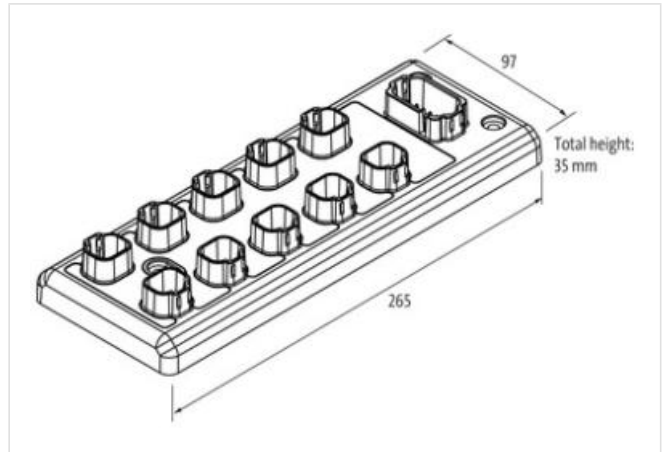
Data Panel - xtremeDB IO Modul SAE J1939, , 8IN / 8OUT

IN: 8DI/4AI(I-U)/2Frequency-Counter-Encoder - OUT: 8DO / 8PWM / 8PWM(i)

Robust, fully potted bus module with 8 DT signal ports
 For use in extreme environments, special vehicles and mobile machines
 Connection cables are in the online shop under "Connection Technology".

[Link to Product](#)

Illustration





Product may differ from Image

