

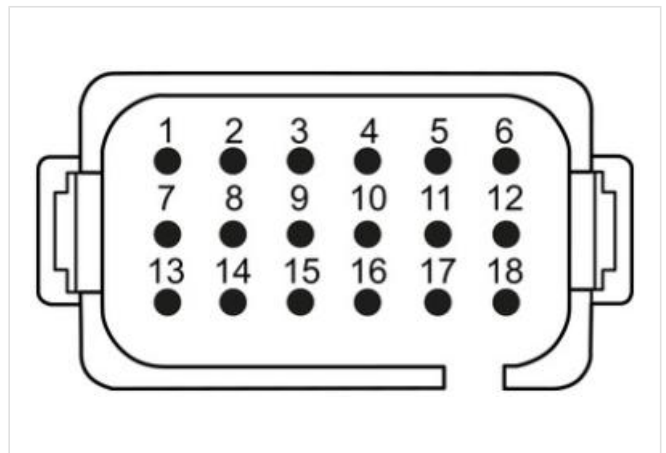
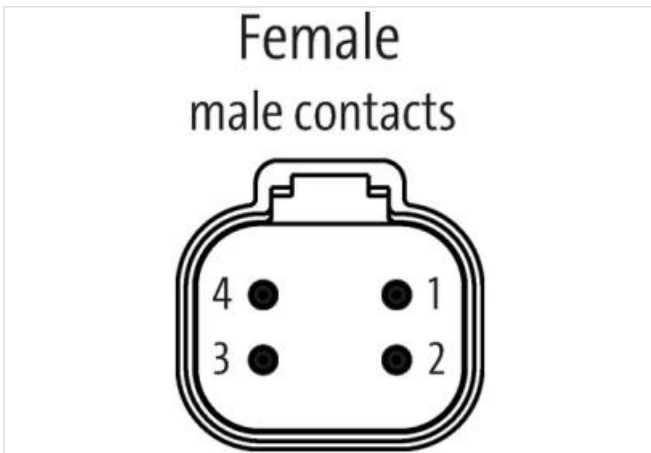
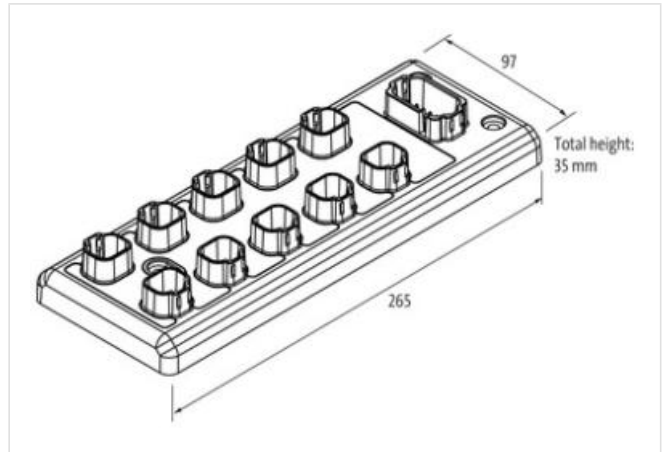
**Data Panel - xtremeDB PWM OUT Module CANopen, 16 OUT parameterizable**

2D0-10A/14DO-4A/14PWM(i)-4A

Robust, fully potted bus module with 8 DT signal ports  
 For use in extreme environments, special vehicles and mobile machines  
 Connection cables are in the online shop under "Connection Technology".

[Link to Product](#)

**Illustration**





Product may differ from Image



Product article number of manufacturer

DP-34044-3-200