

## MTS 1-PHASE CONTROL AND ISOLATION TRANSFORMER

P: 100VA IN: 208...550VAC OUT: 2x115VAC

Art.No.: 86143

Weight: 2.100 kg

Country of origin: CZ

Model designation: MTS 0100-208...550/2x115

Single-phase - Control and Isolation Transformers

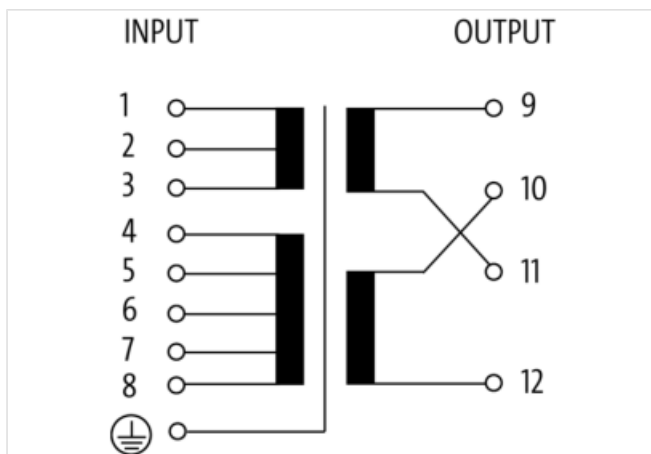
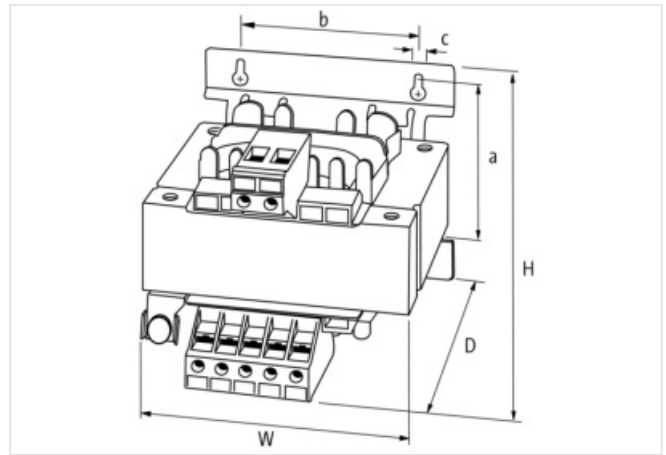
100 VA

Isolation class T 40/B

Other voltages on request.

### Link to Product

#### Illustration



Product may differ from Image



#### Commercial data

|                       |   |
|-----------------------|---|
| URL Webshop           | <a href="https://shop.murrelektronik.com/86143">https://shop.murrelektronik.com/86143</a> |
| GTIN                  | 4048879438759   |
| Customs tariff number | 85043180  |

|                       |               |
|-----------------------|---------------|
| ECLASS-6.0            | 27031302      |
| ECLASS-6.1            | 27031302      |
| ECLASS-7.0            | 27031302      |
| ECLASS-7.1            | 27031302      |
| ECLASS-8.0            | 27031302      |
| ECLASS-8.1            | 27031302      |
| ECLASS-9.0            | 27031302      |
| ECLASS-9.1            | 27031302      |
| ECLASS-10.0.1         | 27031302      |
| ECLASS-10.1           | 27031302      |
| ECLASS-11.0           | 27031302      |
| ECLASS-11.1           | 27031302      |
| ECLASS-12.0           | 27031302      |
| ECLASS-13.0           | 27031302      |
| ECLASS-14.0           | 27031302      |
| ETIM-5.0              | EC002486      |
| ETIM-6.0              | EC002486      |
| ETIM-7.0              | EC002486      |
| ETIM-8.0              | EC002486      |
| customs tariff number | 85043180      |
| EAN                   | 4048879438759 |
| Packaging unit        | 1             |

**Electrical data | Supply**

|                 |              |
|-----------------|--------------|
| Power frequency | 50 ... 60 Hz |
|-----------------|--------------|

**Electrical data | Input**

|  |   |
|--|---|
| Input voltage AC                         | 420, 208, 525, 550, 230, 380, 400, 440, 460, 480, 500 |
| Nominal input voltage AC                 | 208 V ... 550 V                                       |
| Nominal current AC                       | 57 A @ 208 V, 0.21 A @ 550 V                          |
| Inrush current at input voltage 1        | 9,9 A   |
| Inrush current at input voltage 2        | 3,8 A   |
| Short-circuit current at input voltage 1 | 7,6 A   |
| Short-circuit current at input voltage 2 | 2,9 A   |

**Electrical data | Output**

|                           |                                  |
|---------------------------|----------------------------------|
| Output voltage adjustable | Yes                              |
| Output voltage            | 1 × 230 / 1 × 115 / 2 × 115 V AC |
| Output voltage AC 1       | 230 V                            |
| Output voltage AC 2       | 115 V                            |
| Power rating AC max.      | 100 VA                           |

**Device protection | Electrical**

|  |      |
|--|------|
| Insulation test voltage input - output | 4 kV |
|--|------|

**Mechanical data | Mounting data**

|                            |  |
|----------------------------|--|
| Height                     | 105 mm   |
| Width                      | 84 mm  |
| Depth                      | 98 mm  |
| Mounting method            | geschnappt   |
| Suitable for mounting type | Mounting rail TH35, Long-hole mounting, (EN 60715) |
| Mounting dimension a       | 64,5 mm  |
| Mounting dimension b       | 64 mm  |
| Mounting dimension c       | 4,8 mm   |
| Diameter bore              | 4,8 mm   |
| Length bore                | 8,4 mm   |

**Environmental characteristics | Climatic**

|  |                  |
|--|------------------|
| Operating temperature min.               | -20 °C           |
| Operating temperature max.               | 40 °C            |
| Ambient temperature (storage, transport) | -20 °C ... 80 °C |

#### Conformity

|                  |  |
|------------------|--|
| Product standard | EN IEC 61558-1, EN IEC 61558-2-4, IEC 62041 category 0 |
|------------------|--|

#### Connection type 3

|                          |                    |
|--------------------------|--------------------|
| Connection type 1        | Input              |
| Connection type 2        | Output             |
| Family construction form | terminal           |
| No. of poles             | 8                  |
| Gender                   | female             |
| Connection               | Screw terminals SK |
| PIN 1                    | 1                  |
| PIN 2                    | 2                  |
| PIN 3                    | 3                  |
| PIN 4                    | 4                  |
| PIN 5                    | 5                  |
| PIN 6                    | 6                  |
| PIN 7                    | 7                  |
| PIN 8                    | 8                  |
| Family construction form | terminal           |
| No. of poles             | 4                  |
| Gender                   | female             |
| Connection               | Screw terminals SK |
| PIN 1                    | 9                  |
| PIN 2                    | 10                 |
| PIN 3                    | 11                 |
| PIN 4                    | 12                 |
| Family construction form | terminal           |
| No. of poles             | 1                  |
| Gender                   | female             |
| Color contact carrier    | metallic           |
| Connection               | Screw terminals SK |
| PIN 1                    | PE                 |